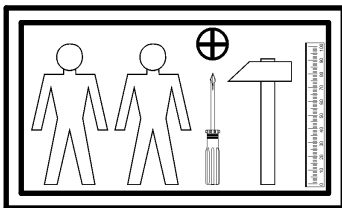
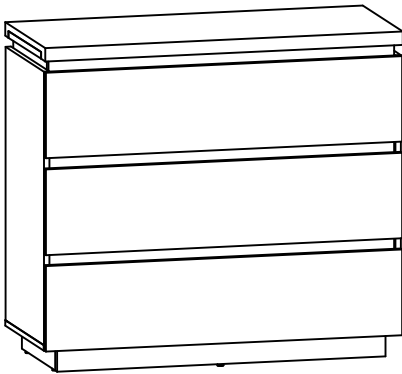
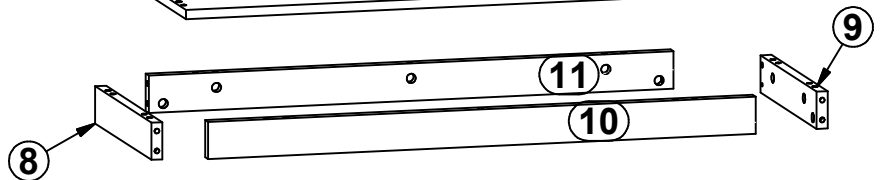
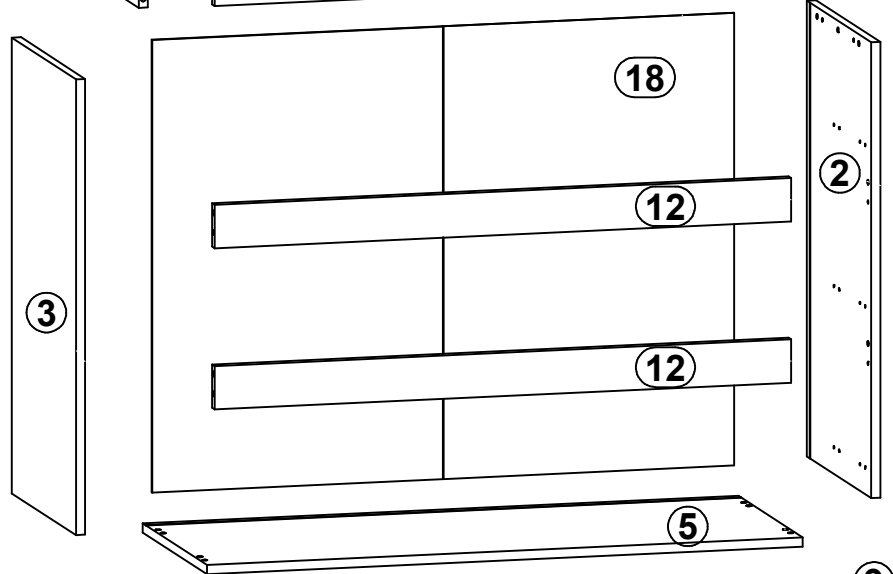
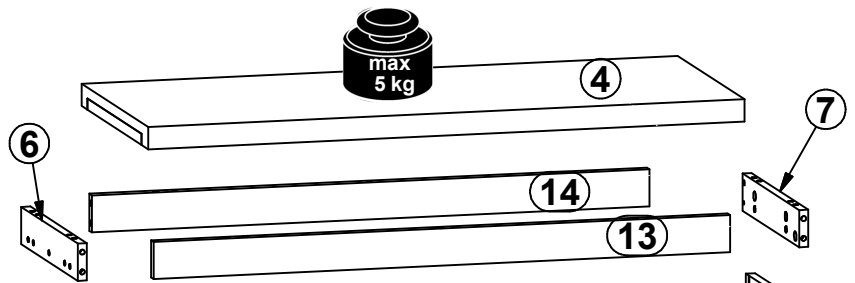
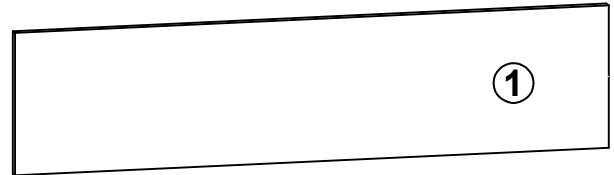
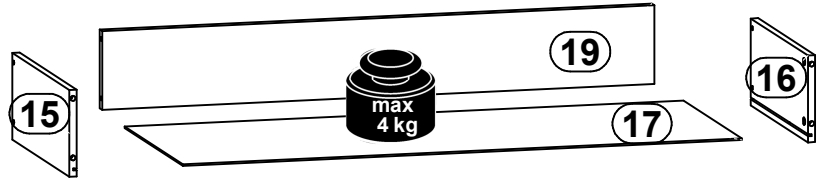


A	B	C	D	
1	S426-0007	976,	230	2/2
2	S426-1010	735	394	1/2
3	S426-1012	735	394	1/2
4	S426-2005	980,	410	1/2
5	S426-2008	980,	394	1/2
6	S426-4003	347	60	1/2
7	S426-4004	347	60	1/2
8	S426-4007	344	60	1/2
9	S426-4008	344	60	1/2
10	S426-4013	900,	60	1/2
11	S426-4014	863,	60	1/2
12	S426-4015	948,	70	1/2
13	S426-4033	948,	60	1/2
14	S426-4034	917,	60	1/2
15	S426-5051	350	140	1/2
16	S426-5052	350	140	1/2
17	S426-9005	919	357	1/2
18	S426-9305	730	957,	1/2
19	ZQ6-5003	908	127	1/2

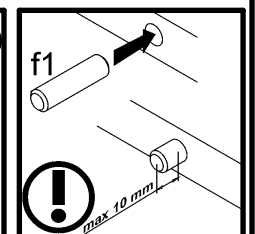
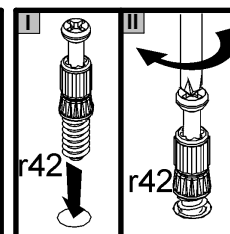
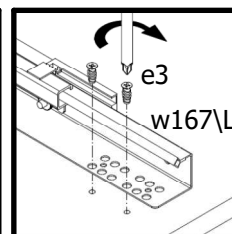
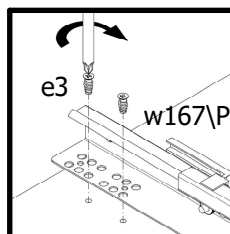
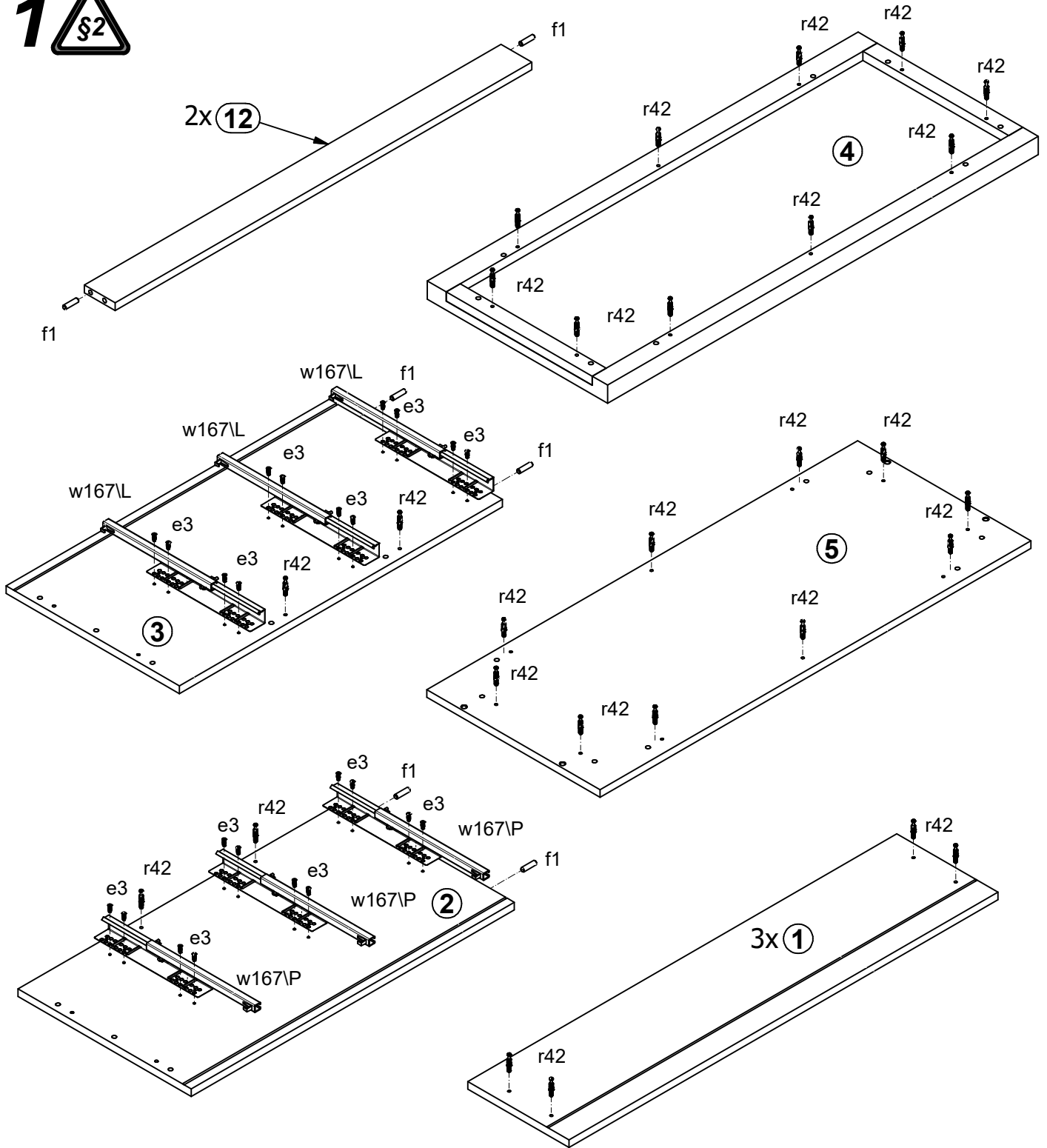


3x

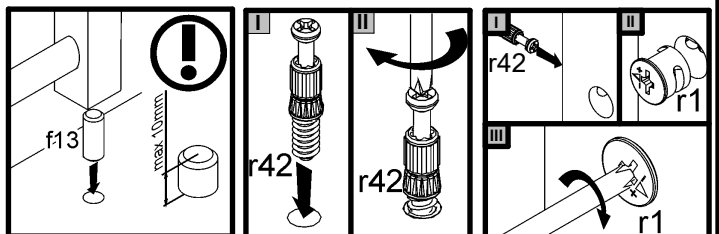
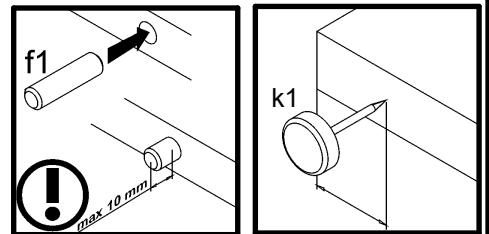
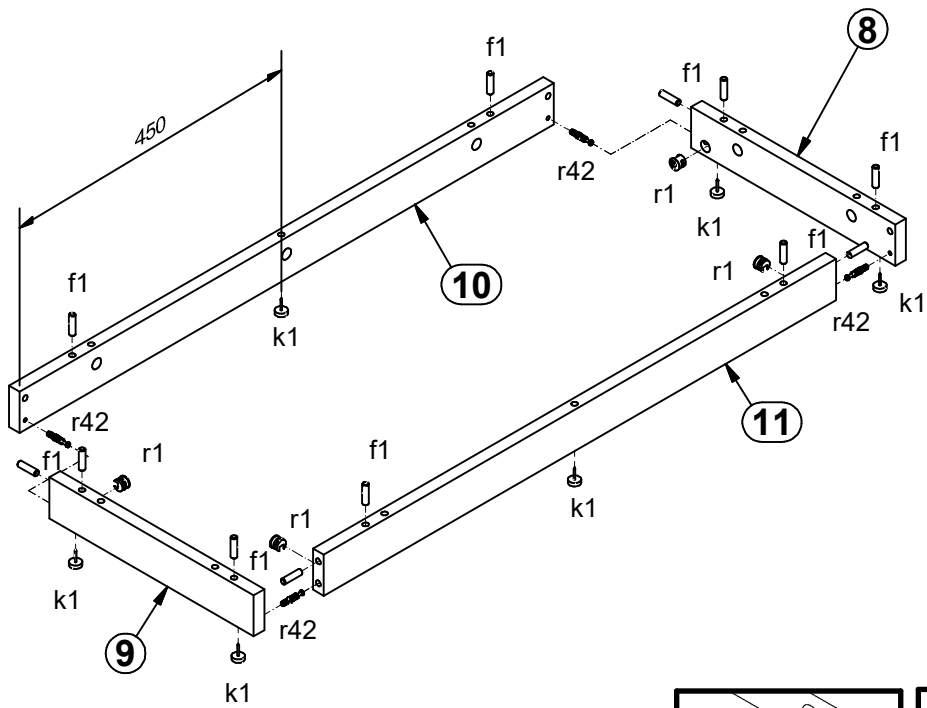
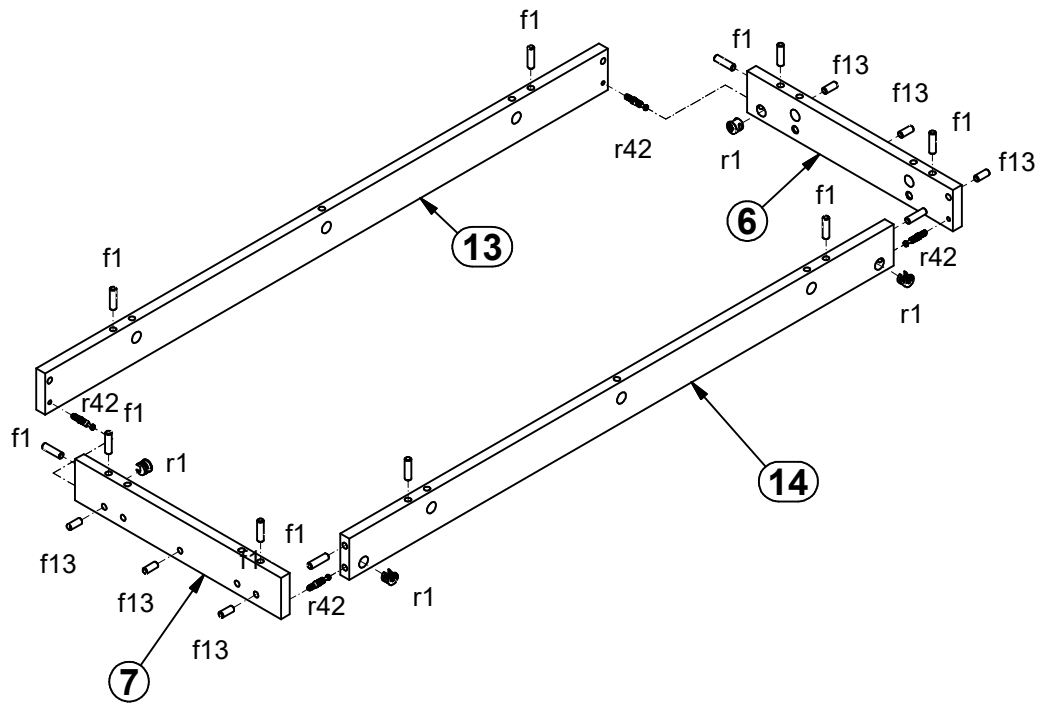


4x Ø7x50 mm e1	24x Ø6x13 mm e3	4x Ø7x24 mm e45	32x Ø8x30 mm f1	6x Ø8x20 mm f13	12x Ø6,5x40 mm f25	6x k1	7x l2	3x Ø3,5x16 mm p25
3x Ø3,5x10 mm p35	19x Ø3,5x16 mm p38	6x Ø2,9x16 mm p55	5x Ø4x13 mm p93	32x Ø15x12 mm #16 r1	12x Ø12x10,5 mm #12 r15	44x 20/11 r42	3x 350 mm t35	3x 350mm w167L
3x 350mm w167P	1x 4 mm z1	1x n26						

1 

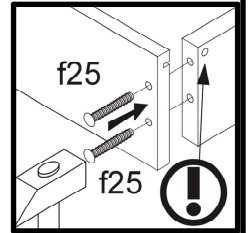
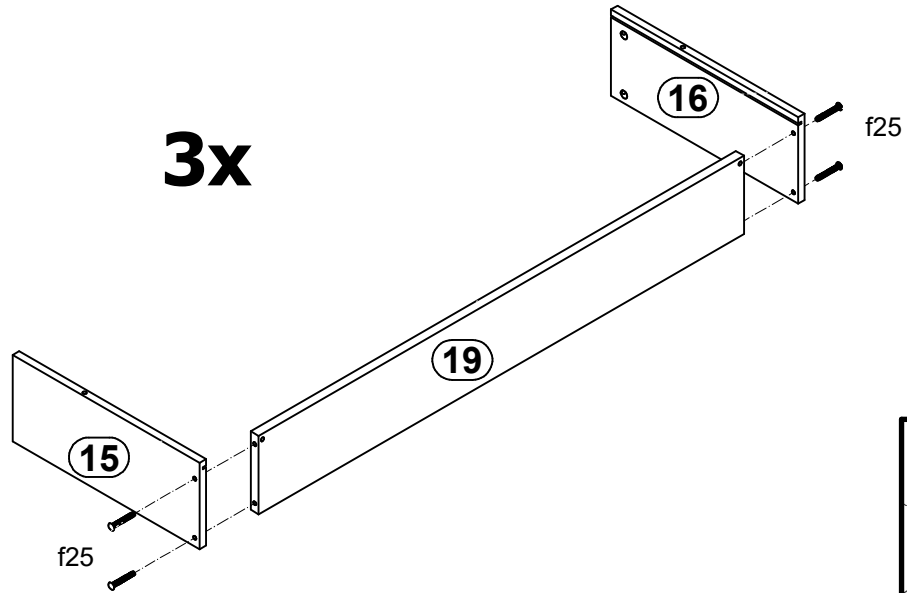


2



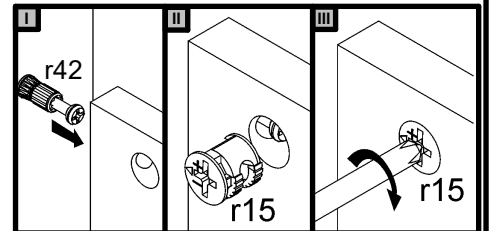
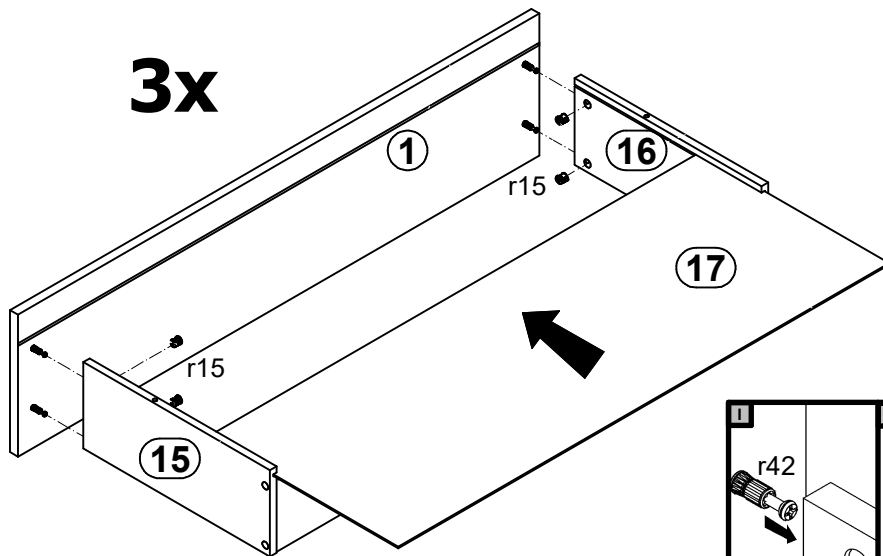
3

3x



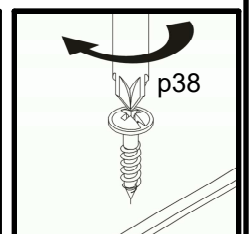
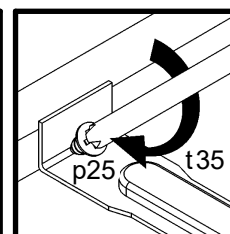
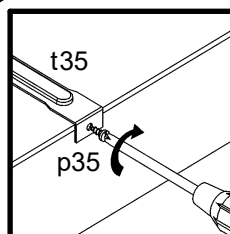
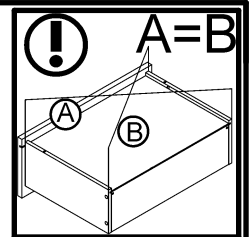
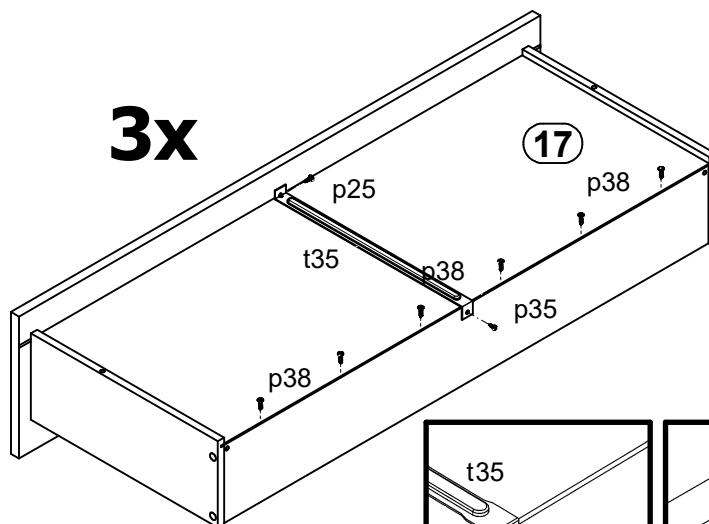
4

3x

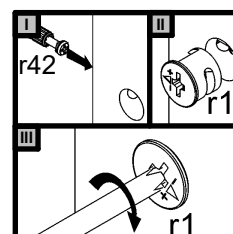
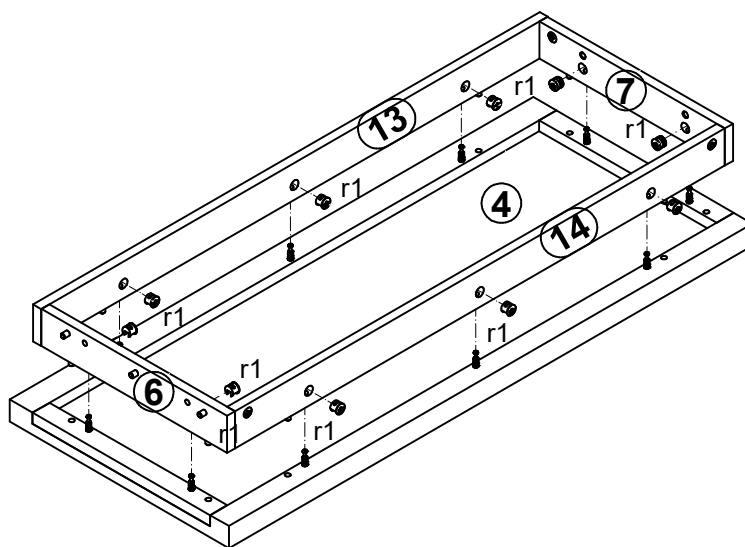


5

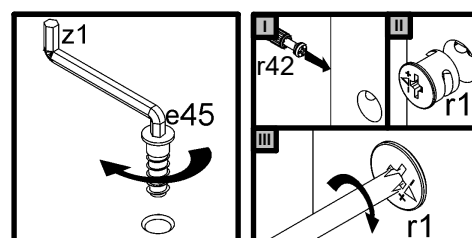
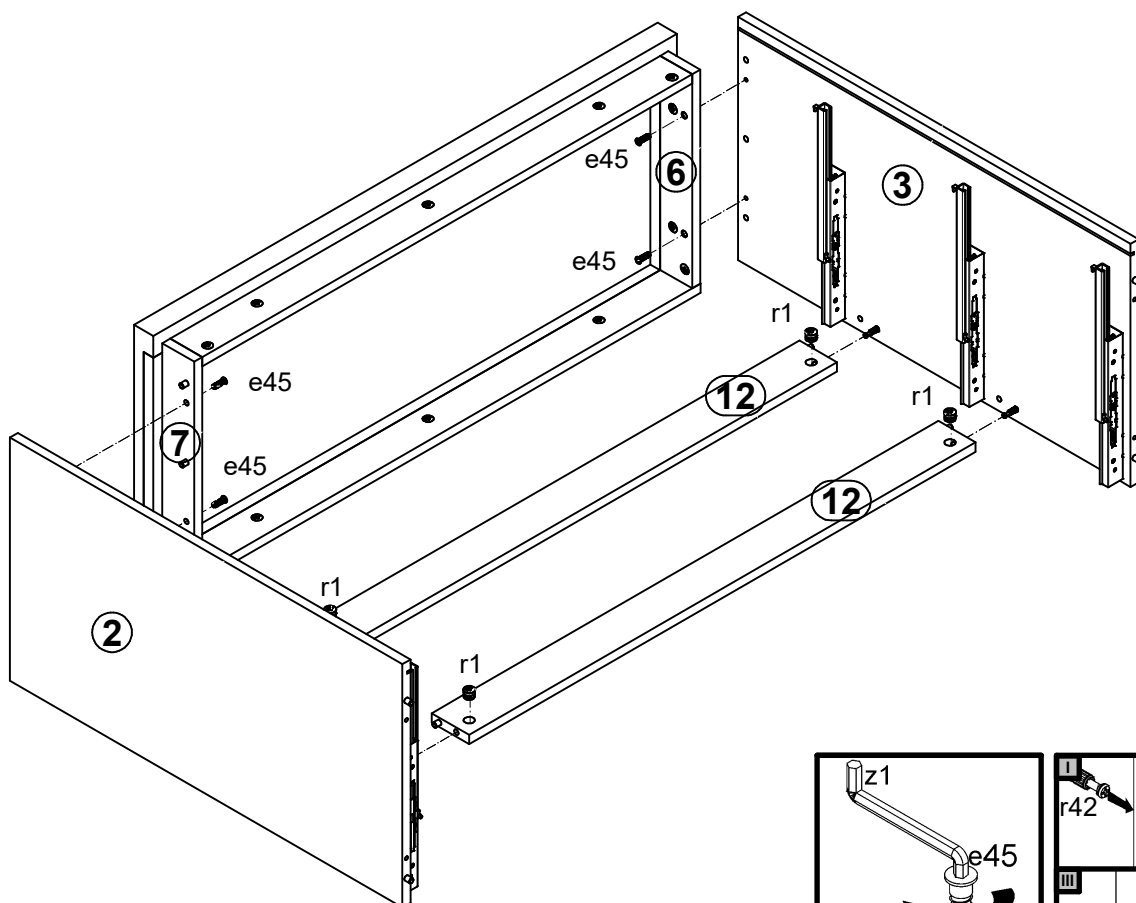
3x



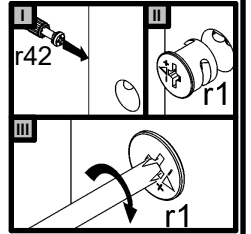
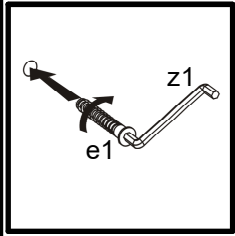
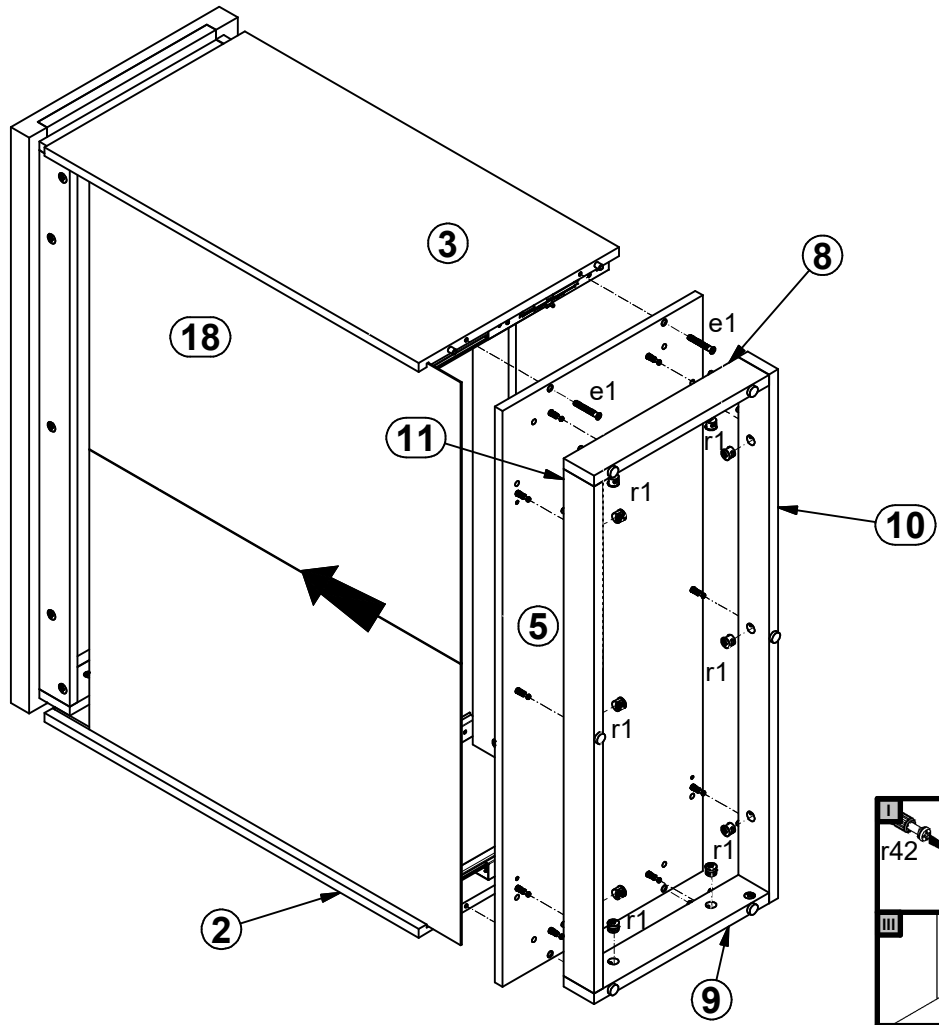
6



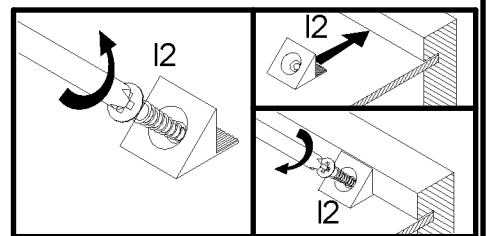
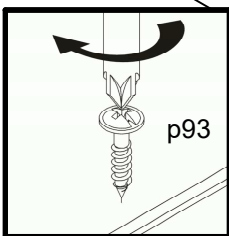
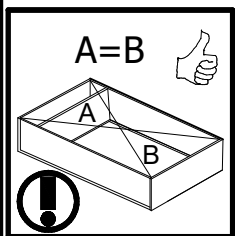
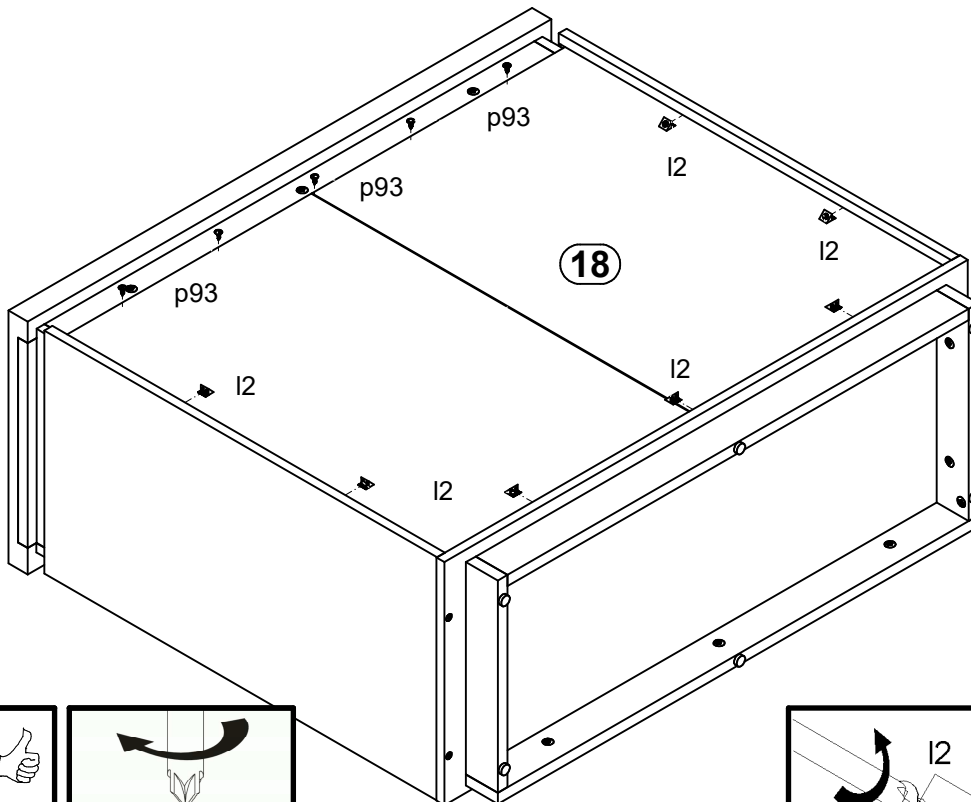
7



8



9



10

