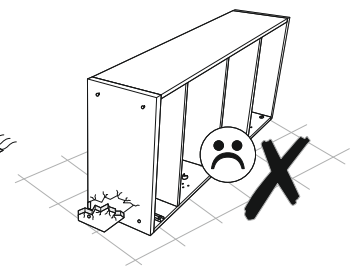
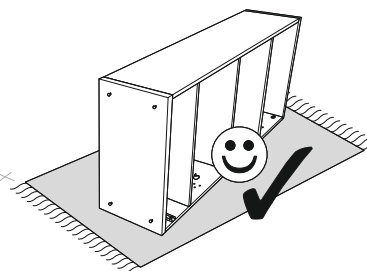
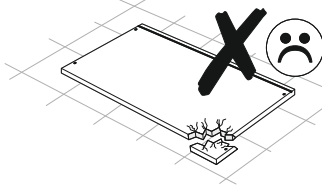
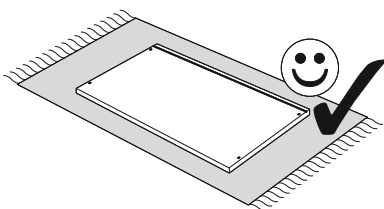
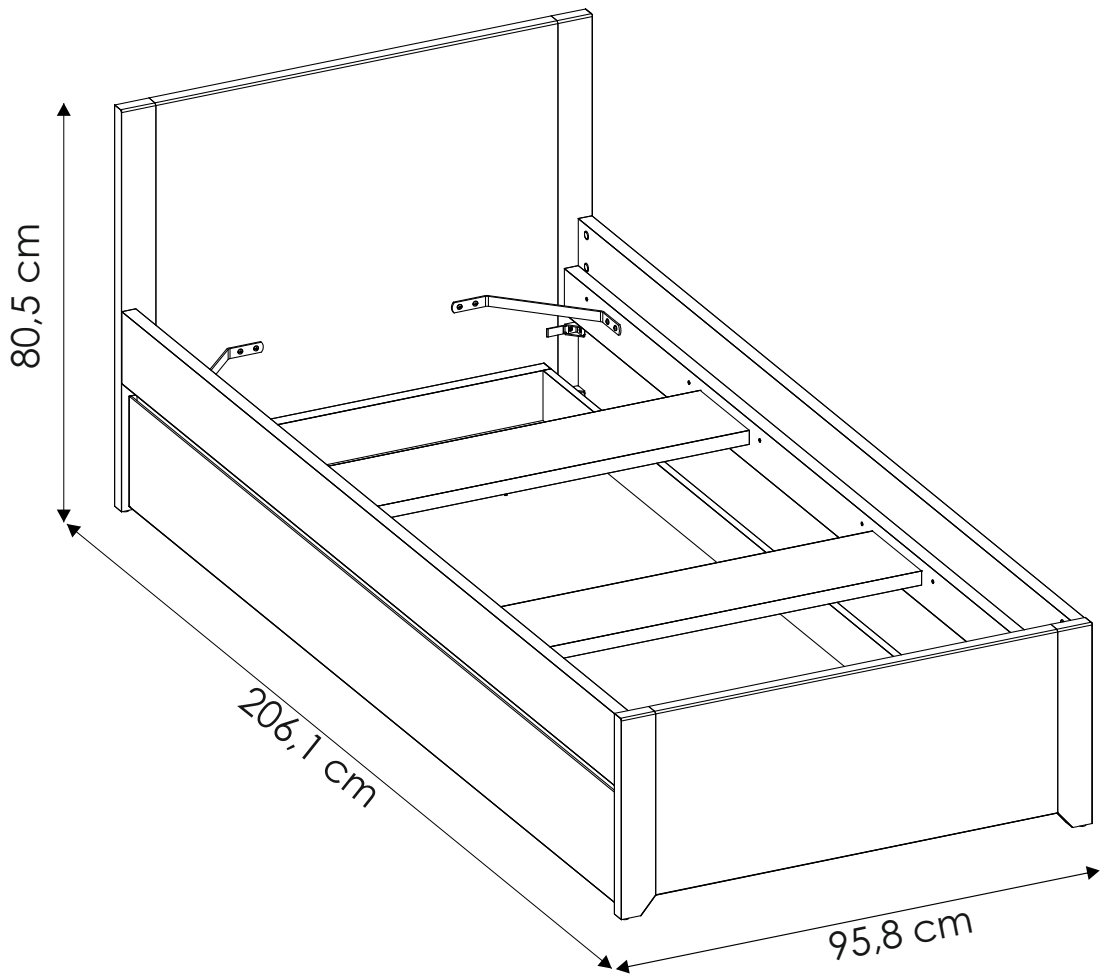
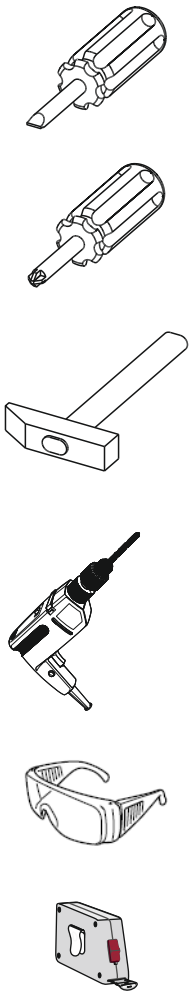
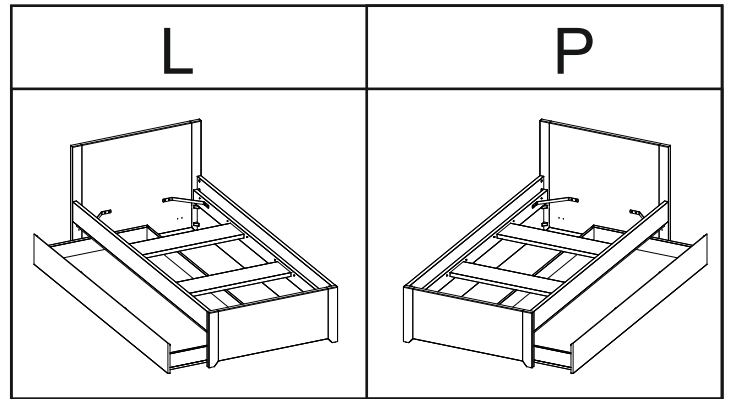
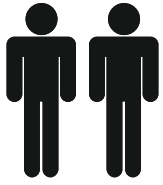
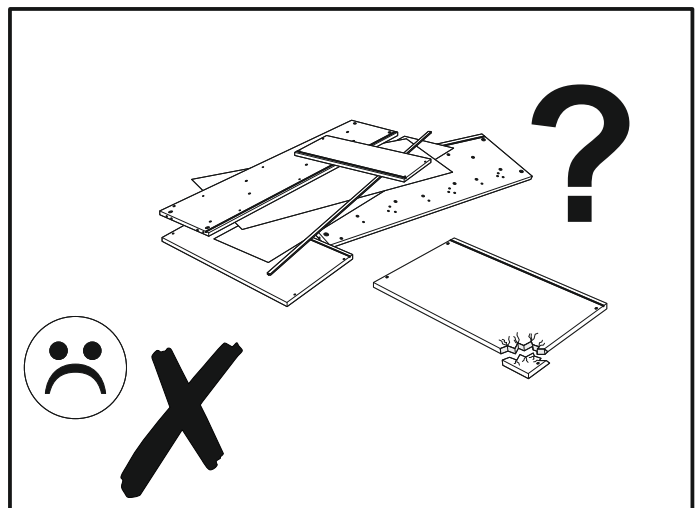
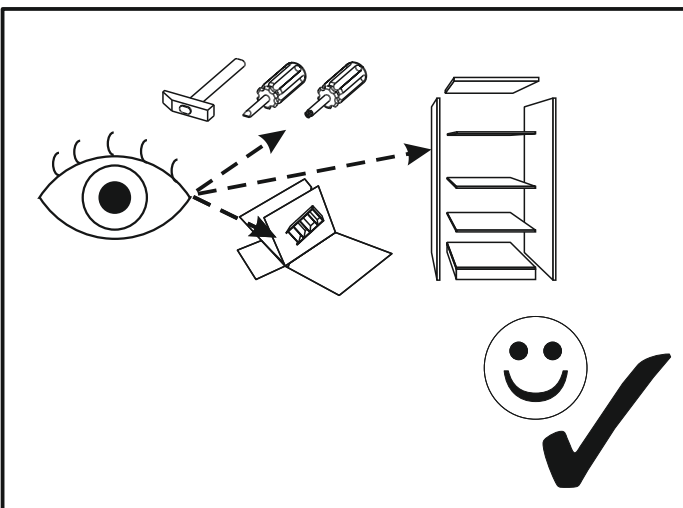
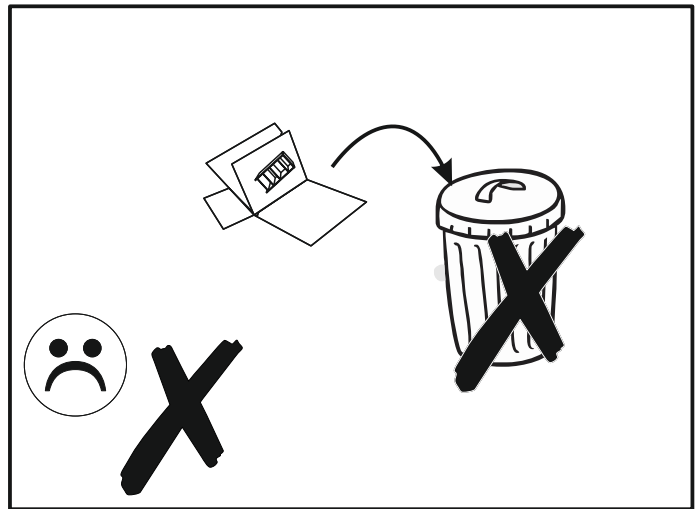
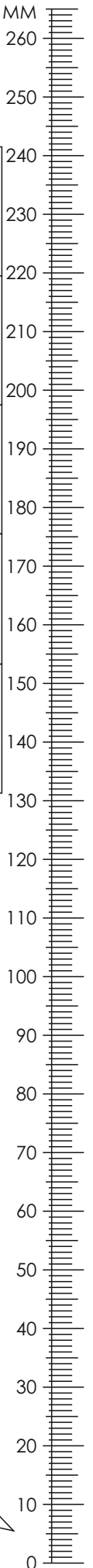



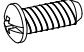




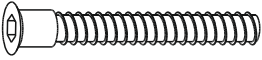

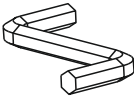

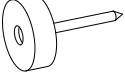


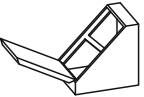

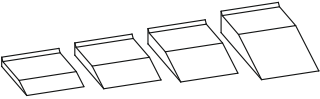
ANGEL 90

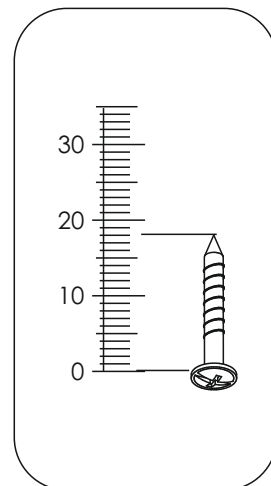




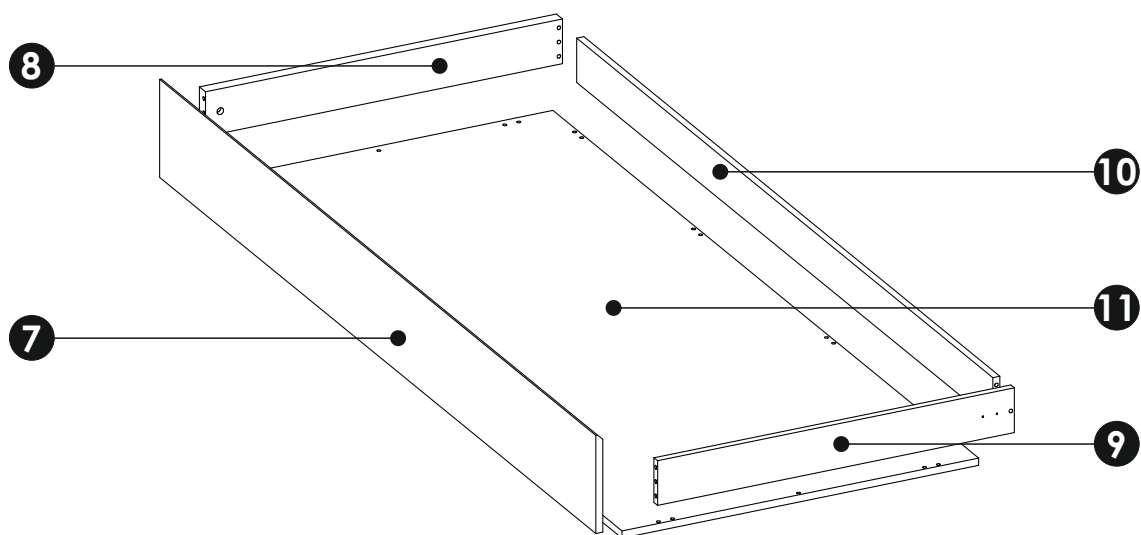
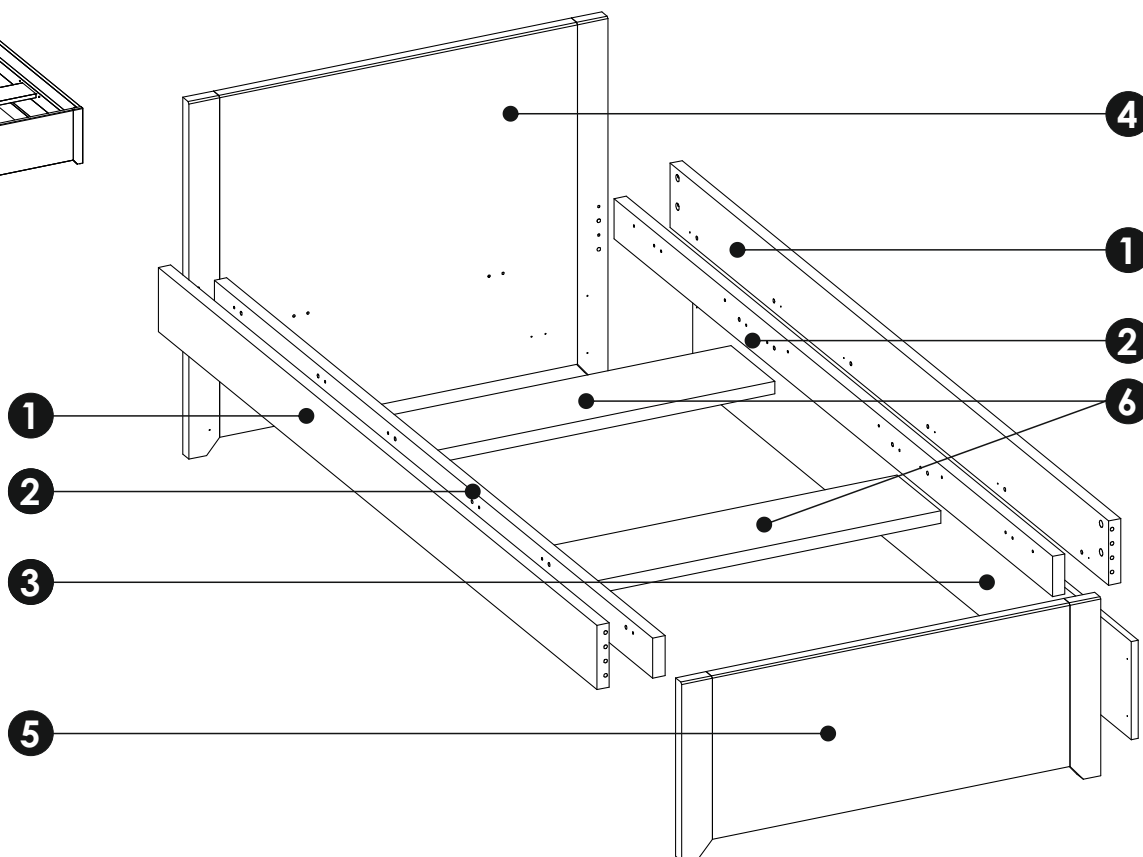
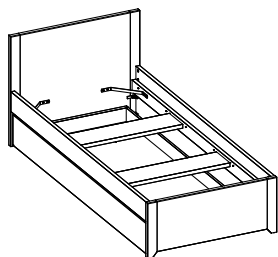
ANGEL 90



<p>A1 x 48 \varnothing8 x 35 mm</p> 	<p>C3 x16 6,3 x 16 mm</p> 	<p>E0 x 22</p> 
<p>E1 x 22 \varnothing15 x 12 mm</p> 	<p>F1 x22</p> 	<p>G0 x 12</p> 
<p>G1 x12 \varnothing7 x 50 mm</p> 	<p>I20 x 12 4 x 50mm</p> 	<p>M x 1</p> 
<p>N2 x 28 3,5 x 16 mm</p> 	<p>O2 x 4</p> 	<p>O5 x 10</p> 
<p>R10 x 4</p> 	<p>W x 4</p> 	<p>X4 x 4</p> 
<p>Z x 1</p> 		



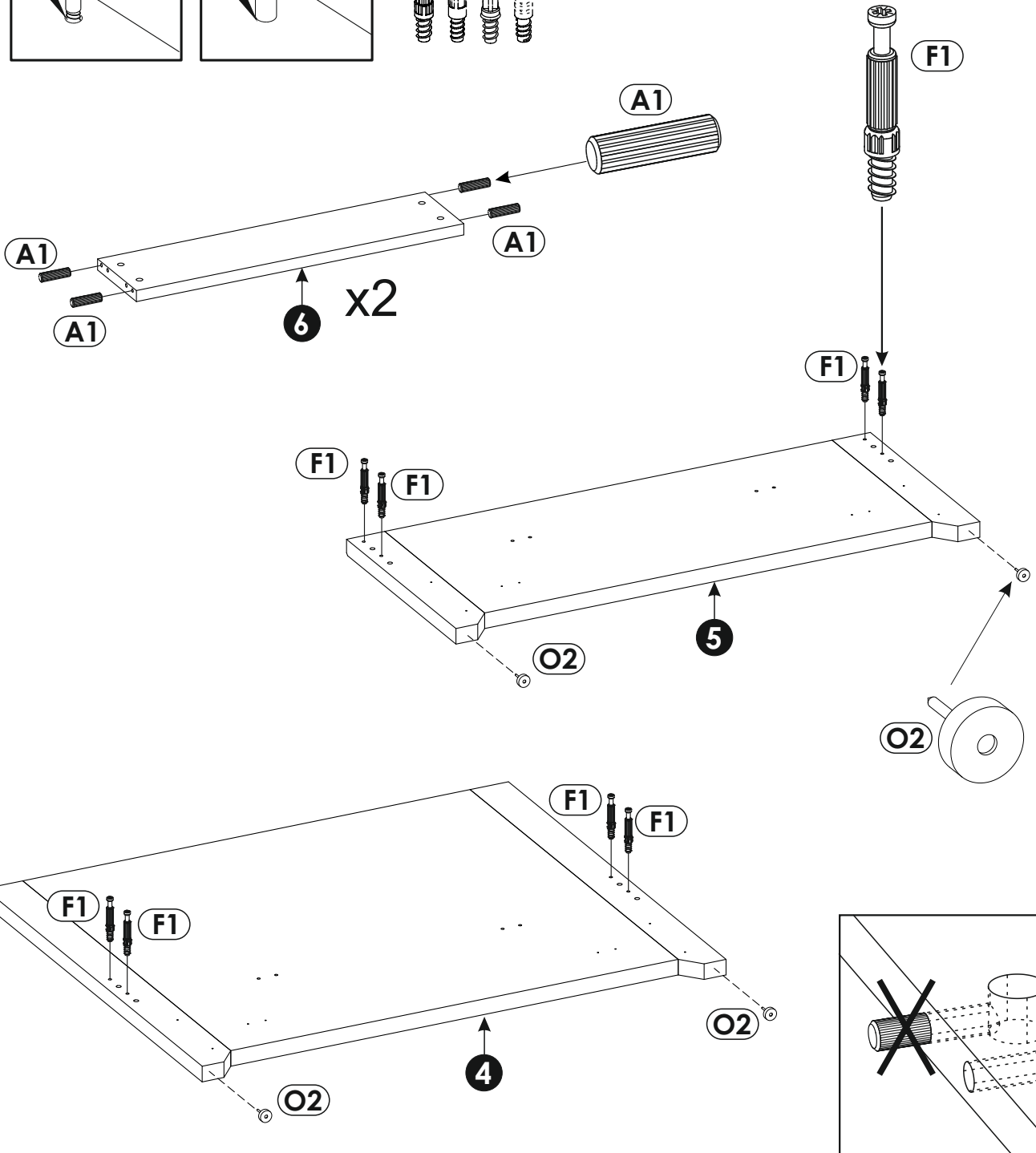
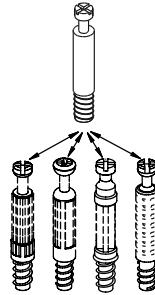
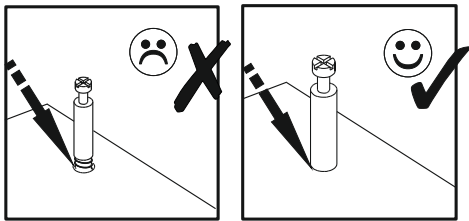
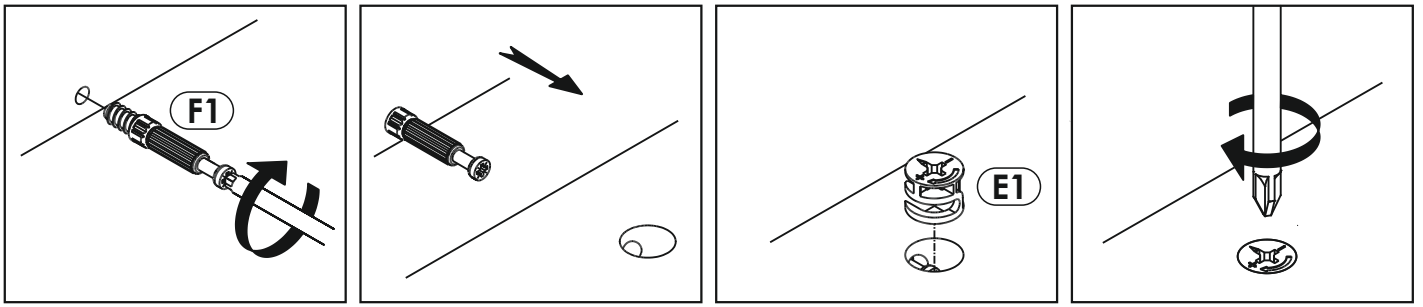
ANGEL 90



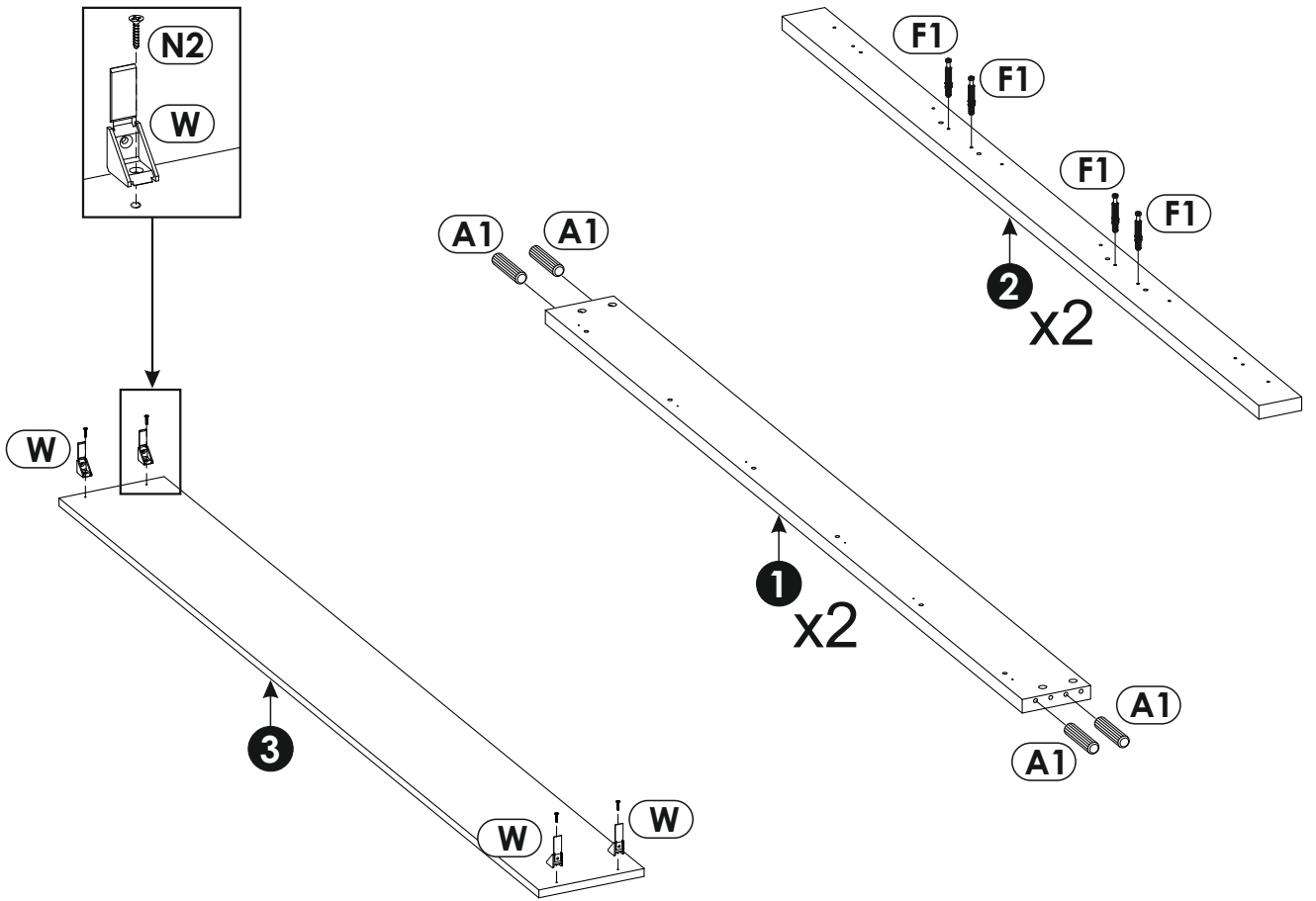
1	2005	144	28	x2	3/3
2	2005	90	28	x2	2/3
3	2005	220	16	x1	2/3
4	958	800	28	x1	1/3

5	958	400	28	x1	1/3
6	844	200	28	x2	1/3
7	1995	220	16	x1	2/3
8	816	100	28	x1	3/3

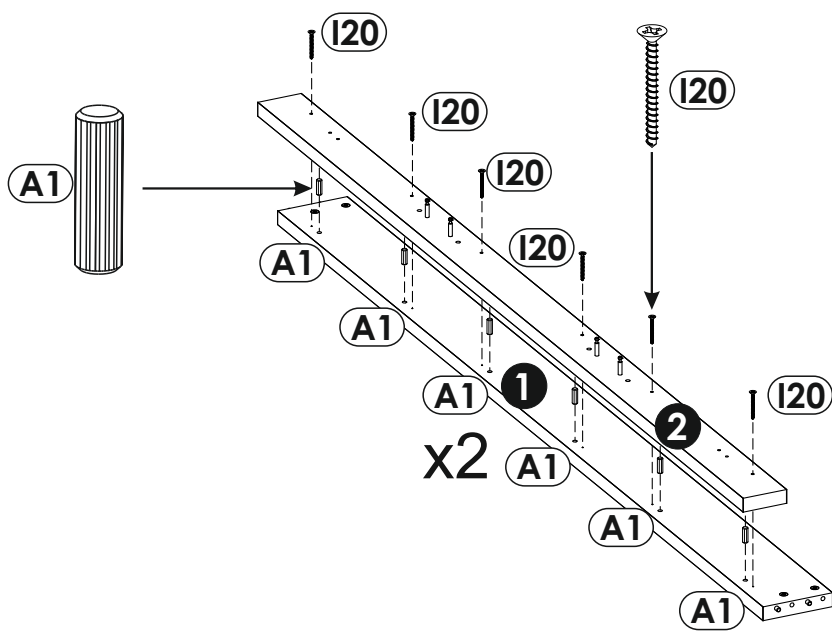
9	816	100	16	x1	2/3
10	1903	100	16	x1	2/3
11	1948	816	16	x1	3/3



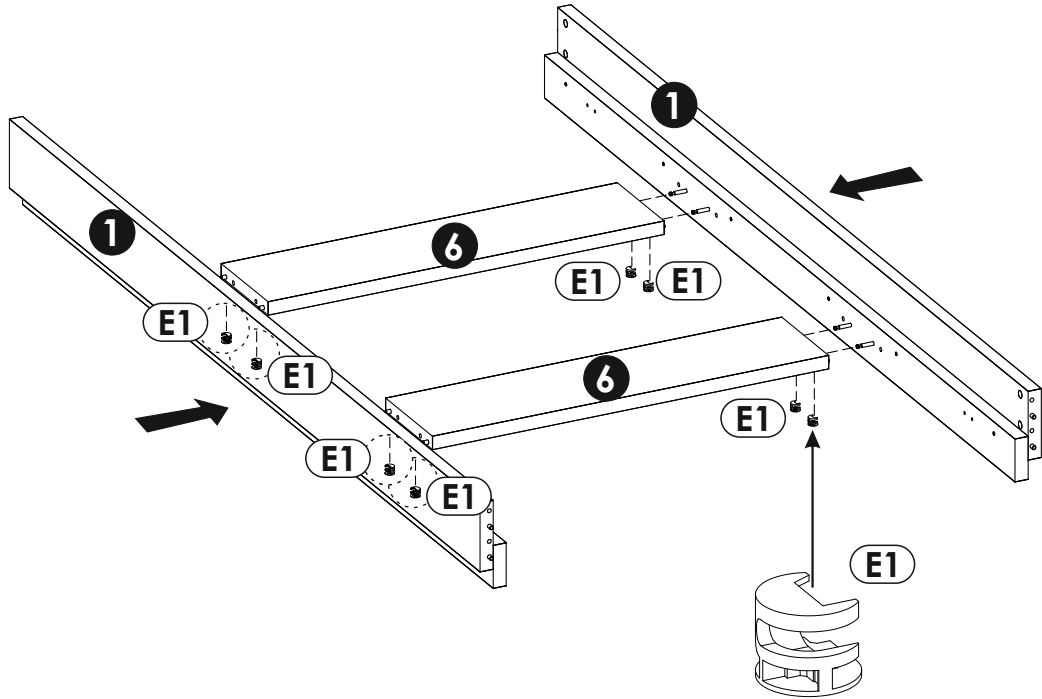
2 ▶



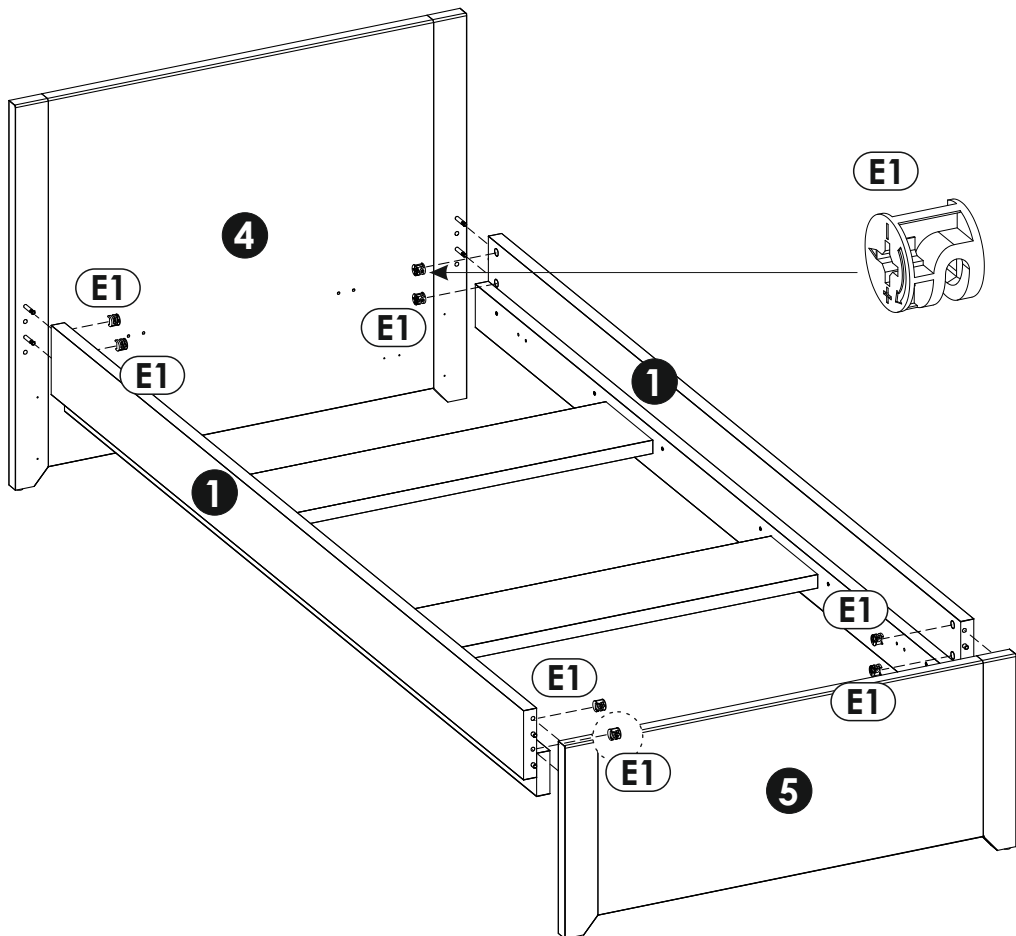
3 ▶



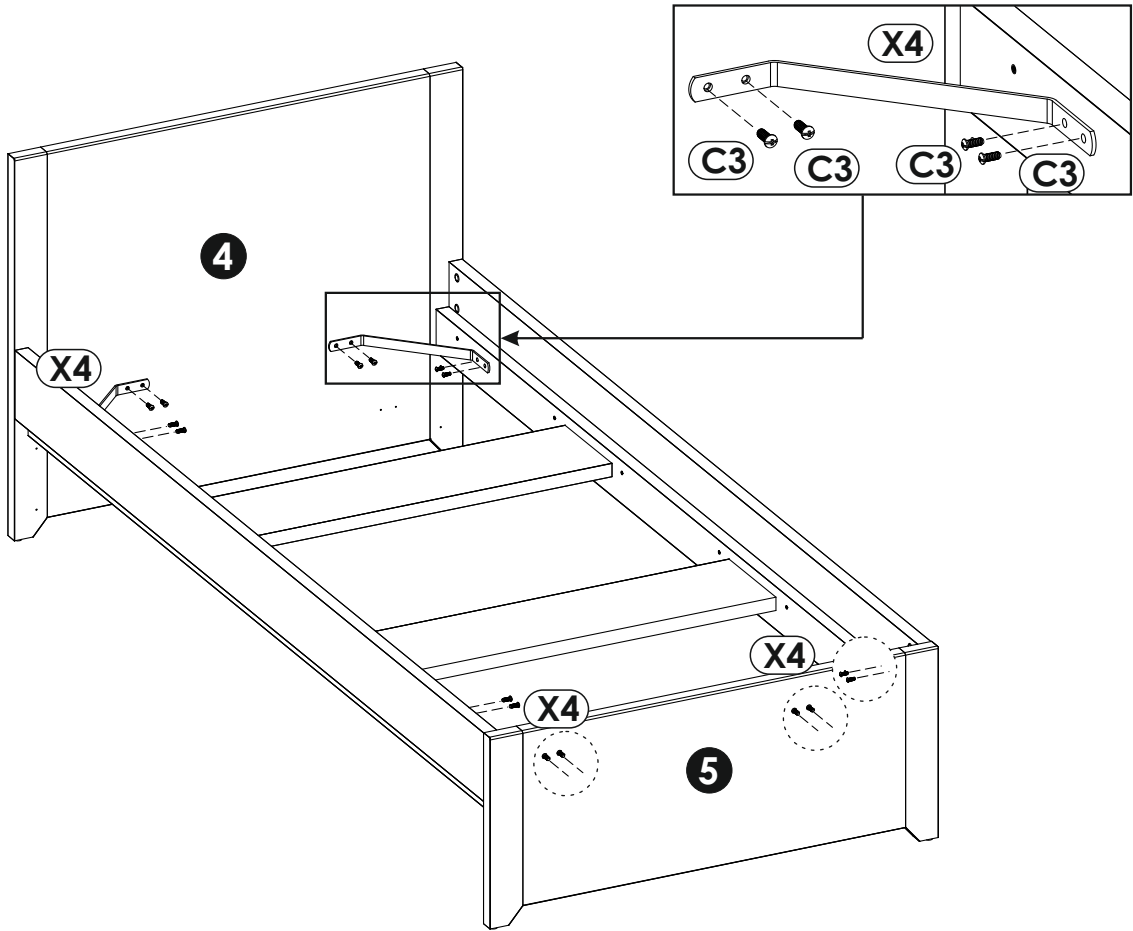
4▶



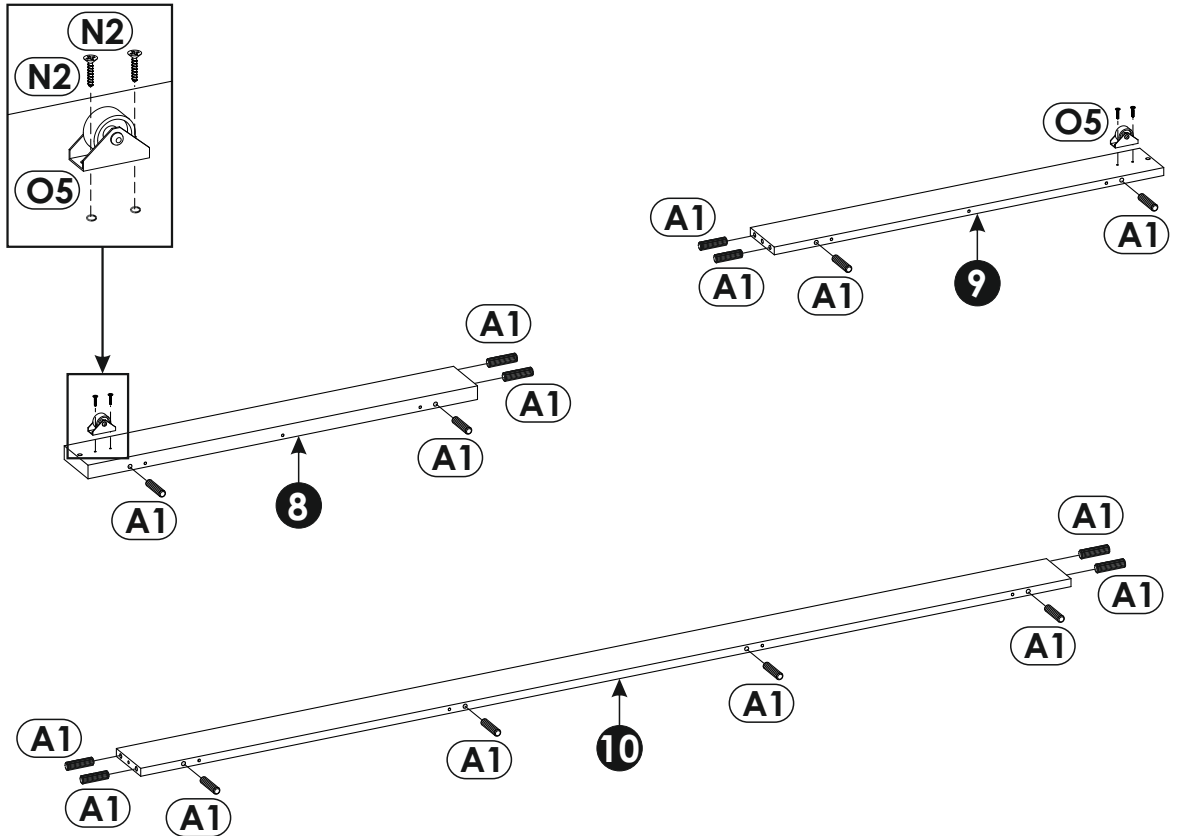
5▶



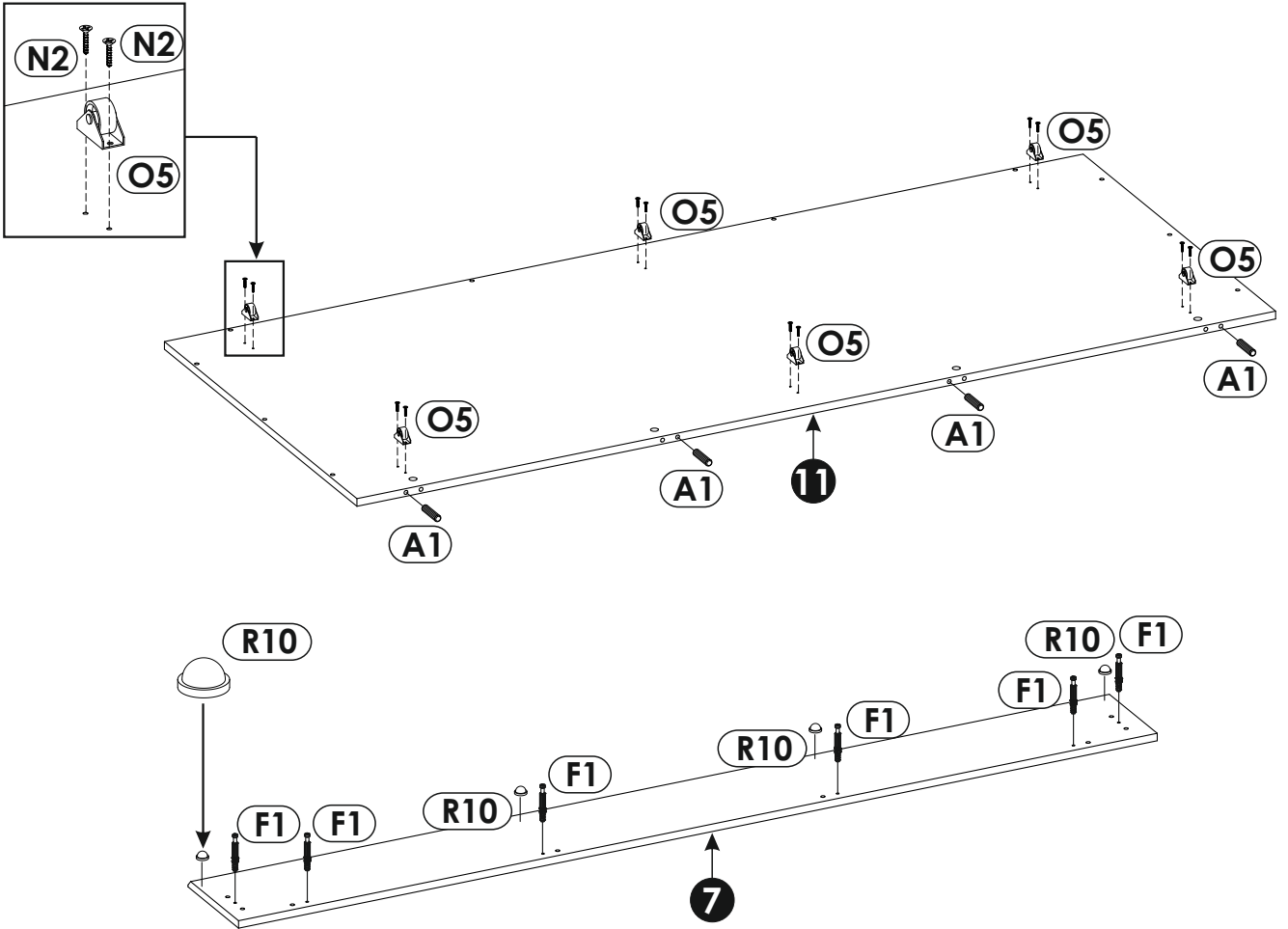
6 ▶



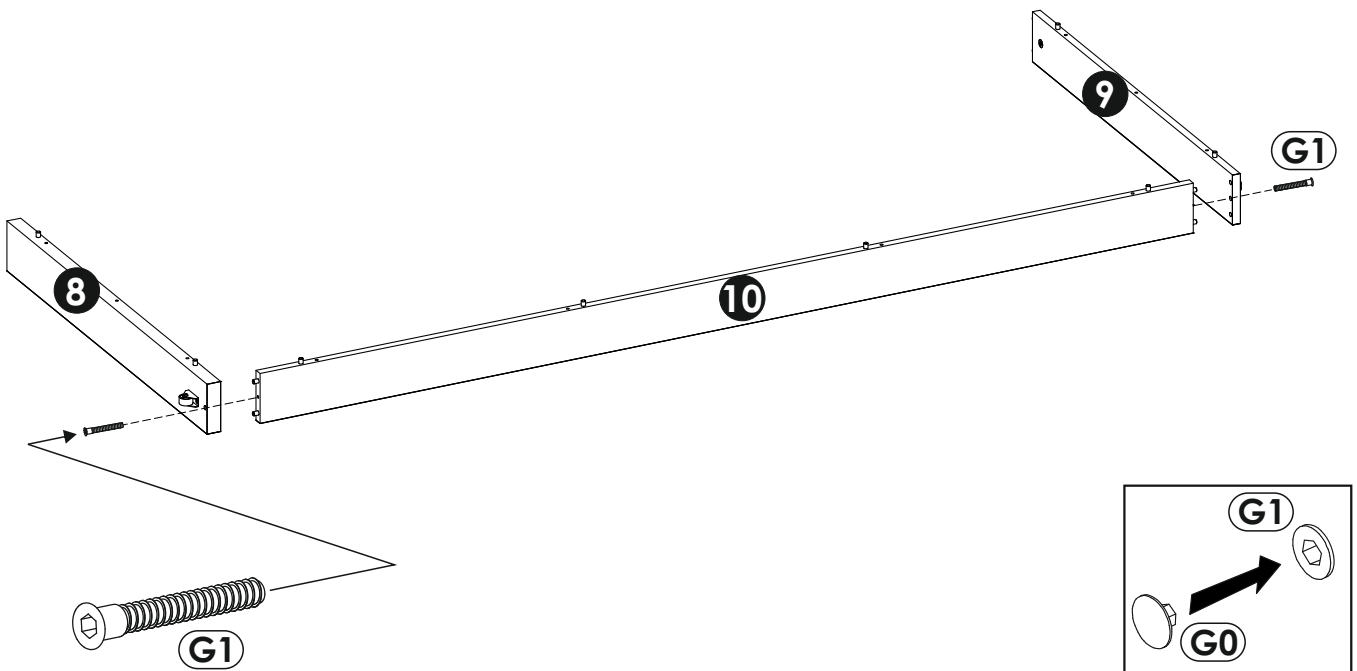
7 ▶



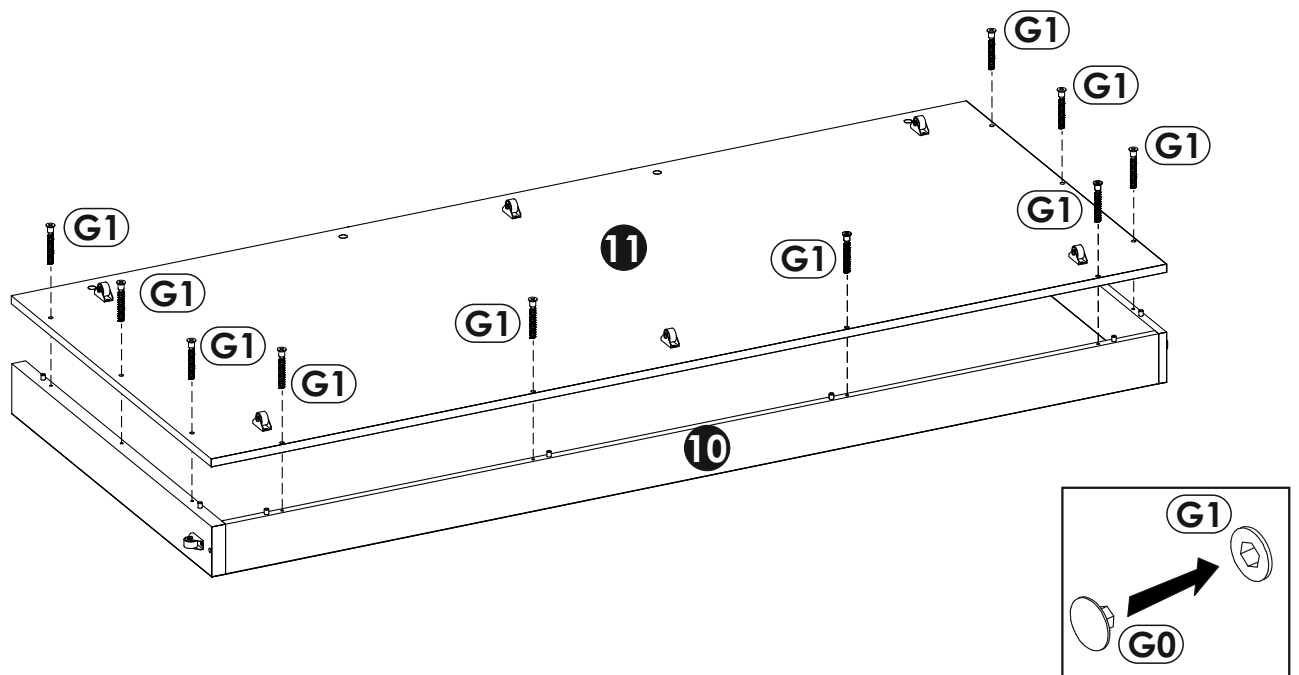
8 ▶



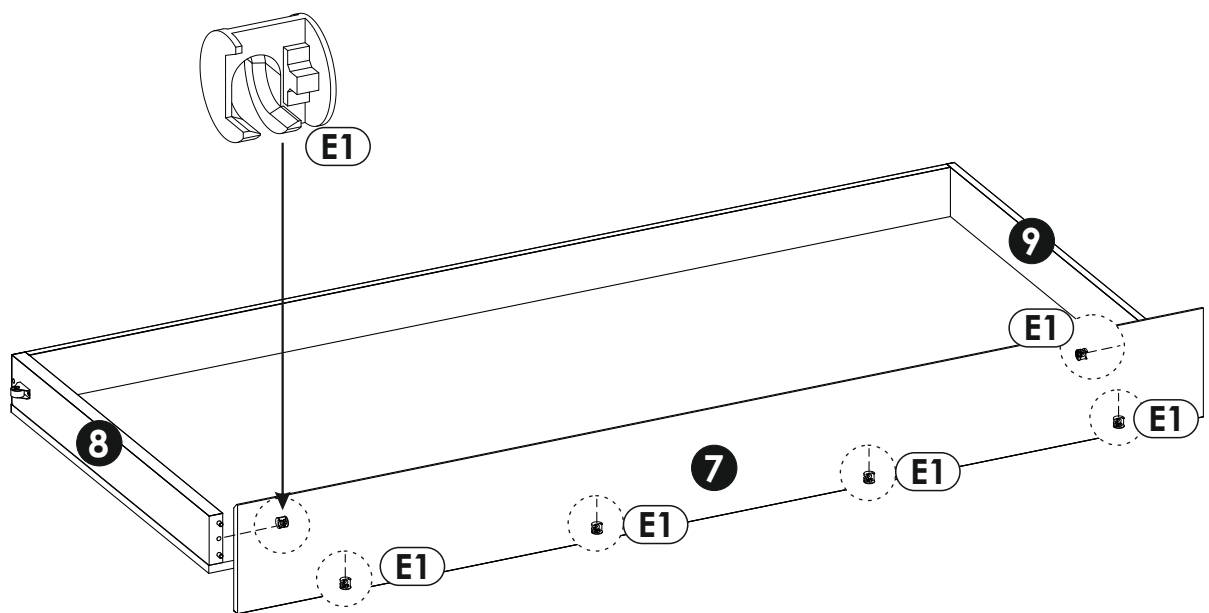
9 ▶



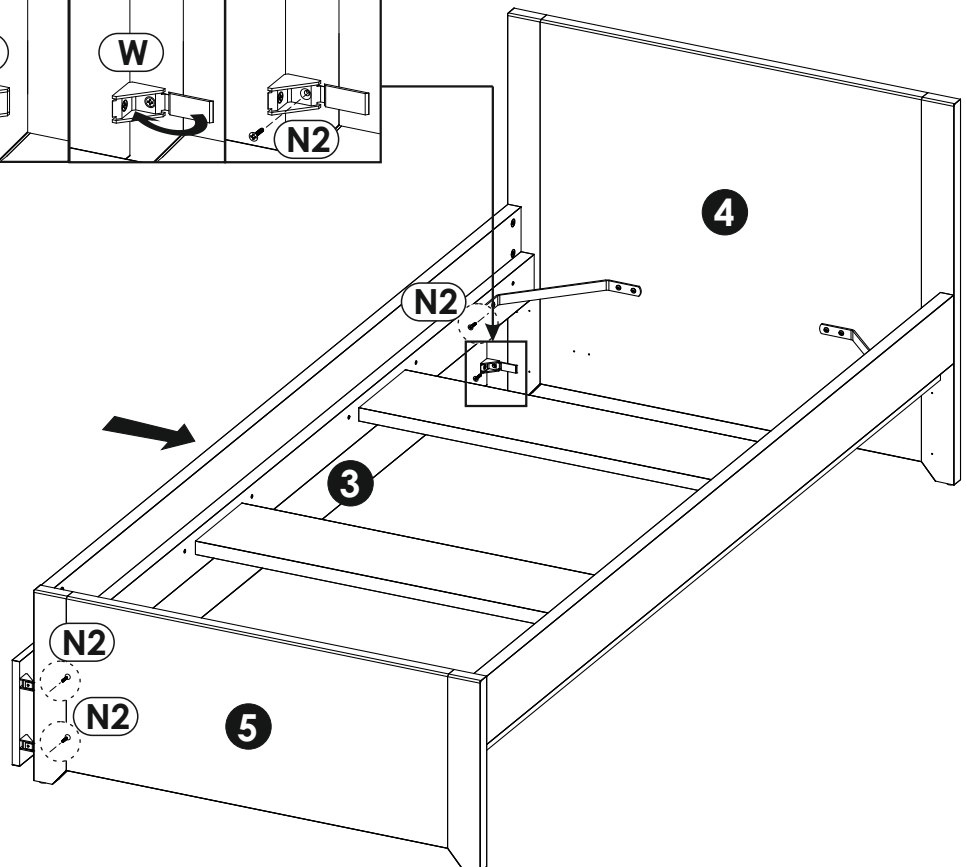
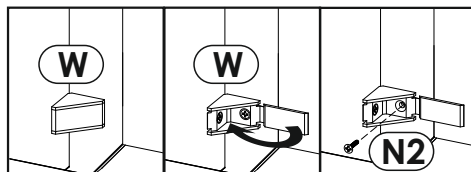
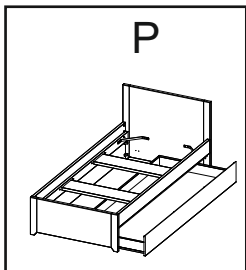
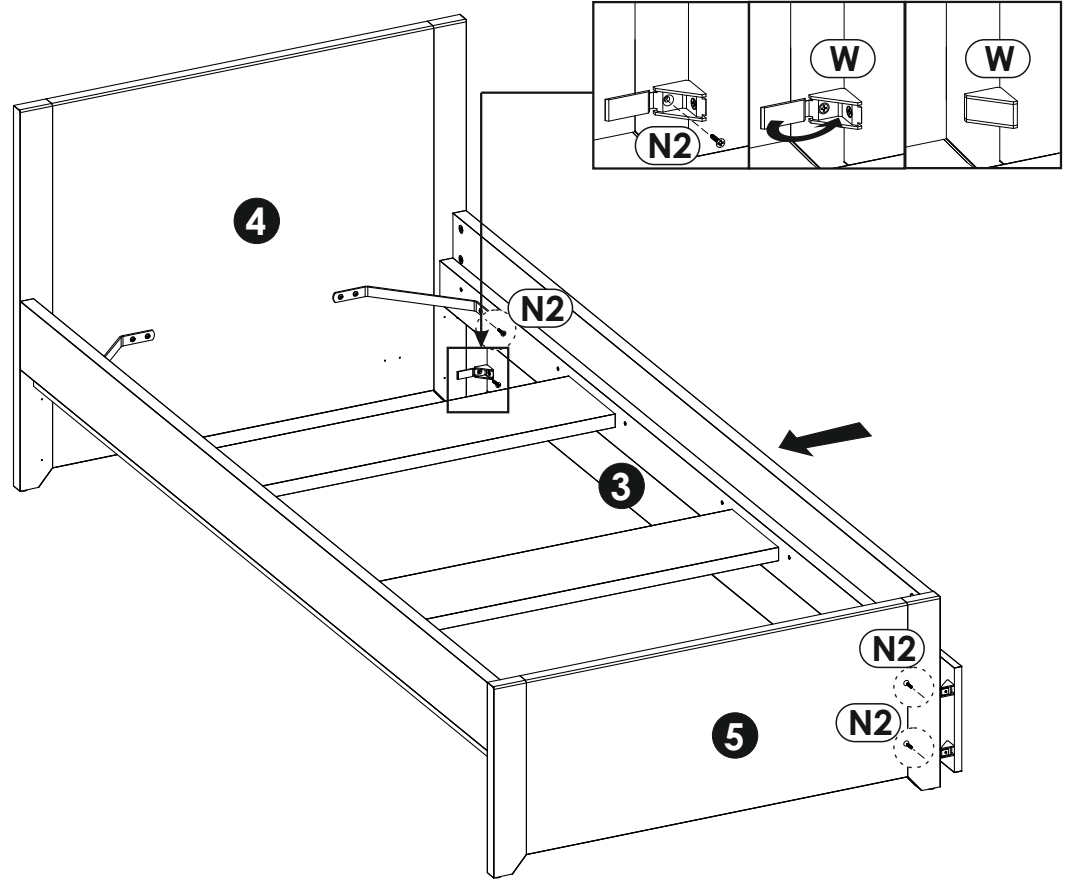
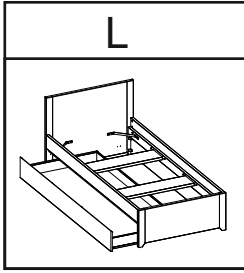
10 ▶



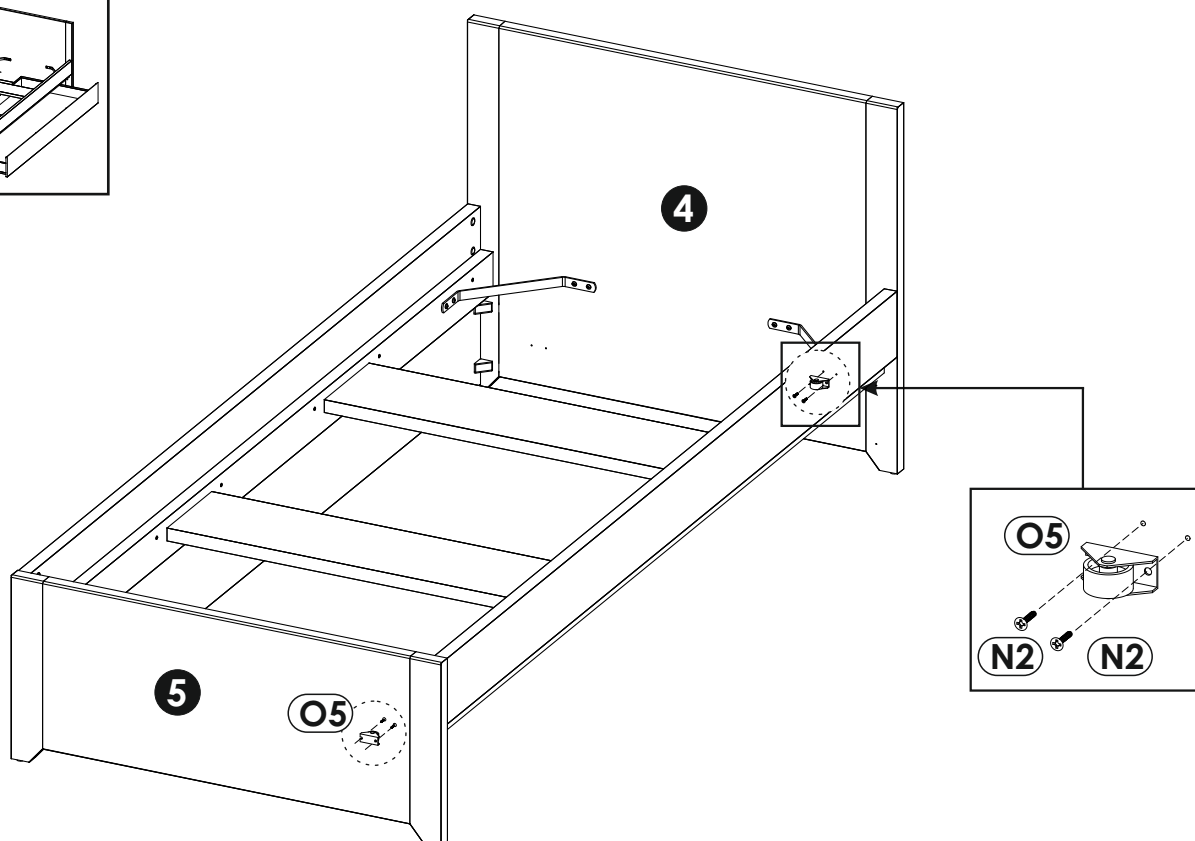
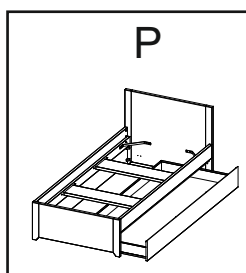
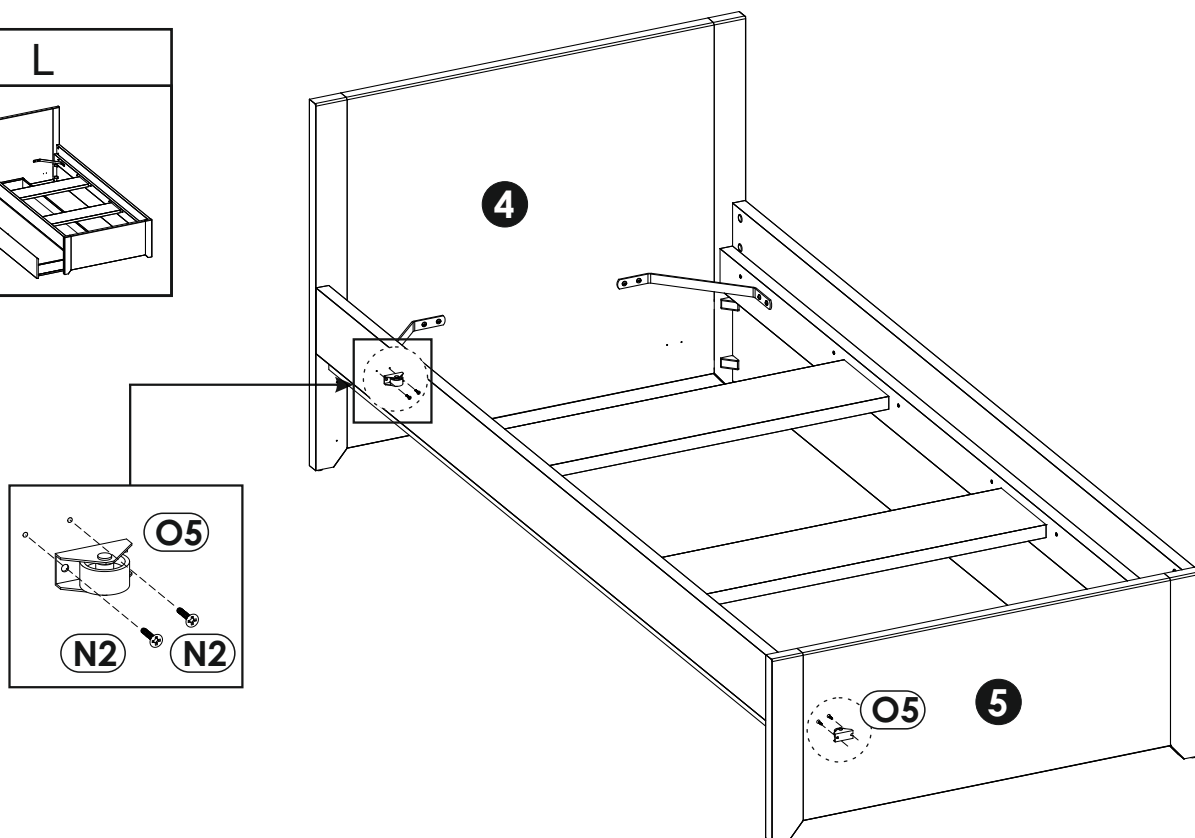
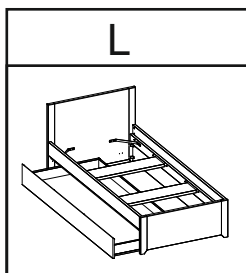
11 ▶



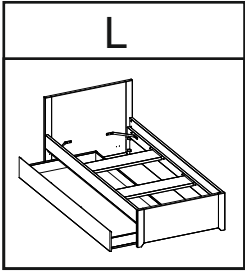
12▶



13 ▶



14▶



max.
60 kg

