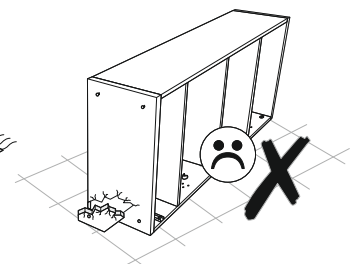
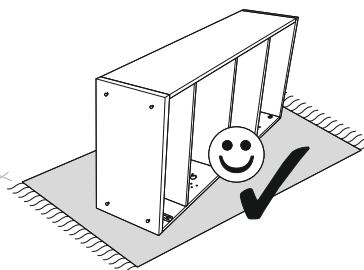
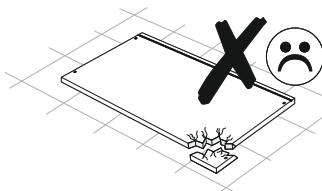
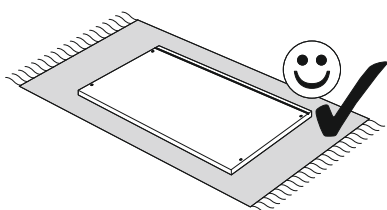
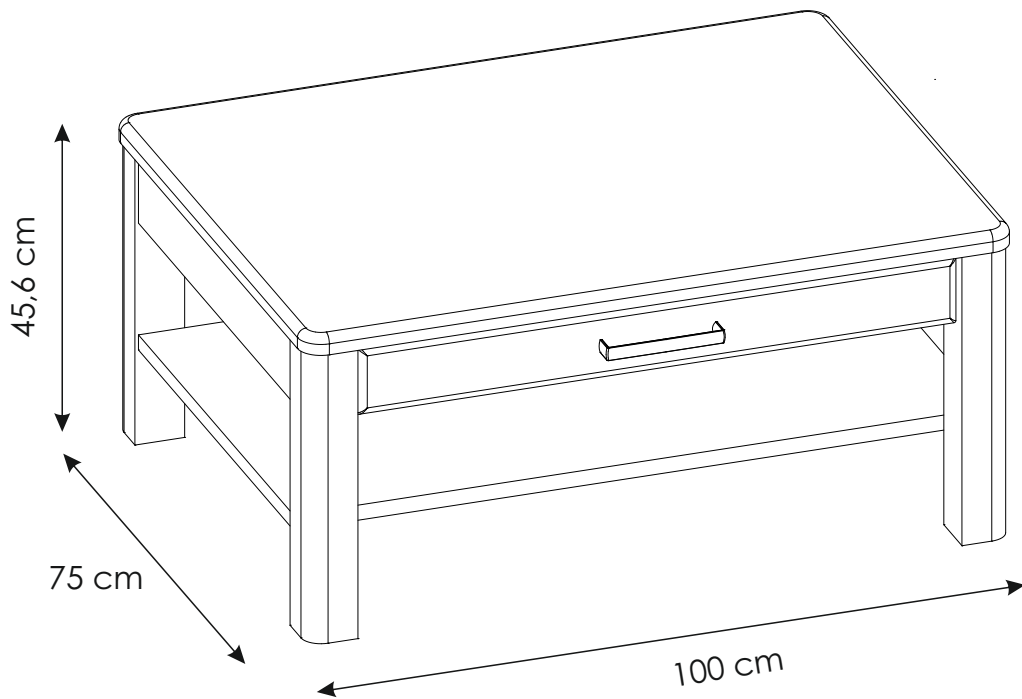
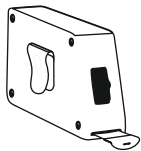
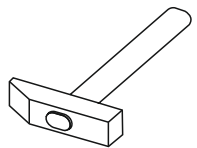
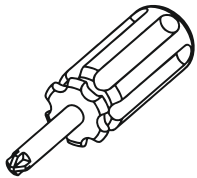
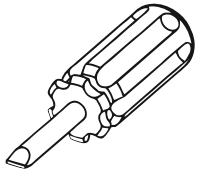
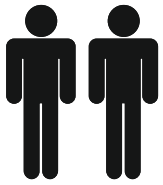
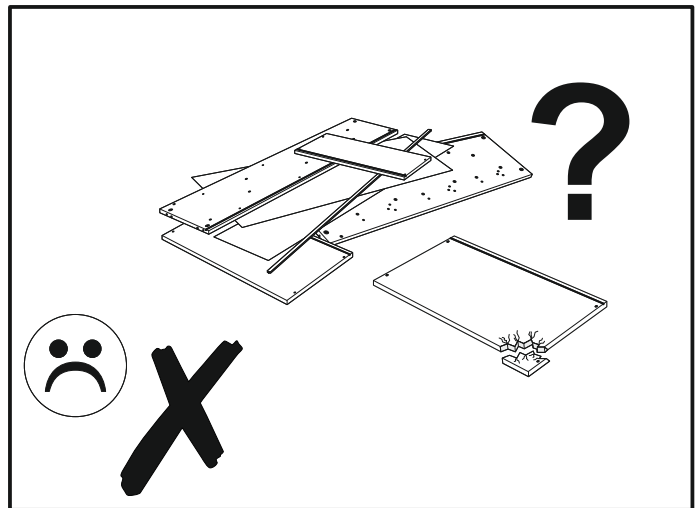
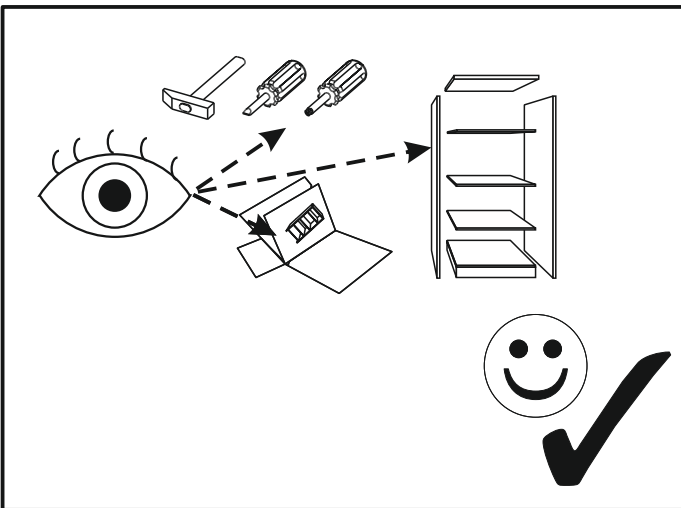
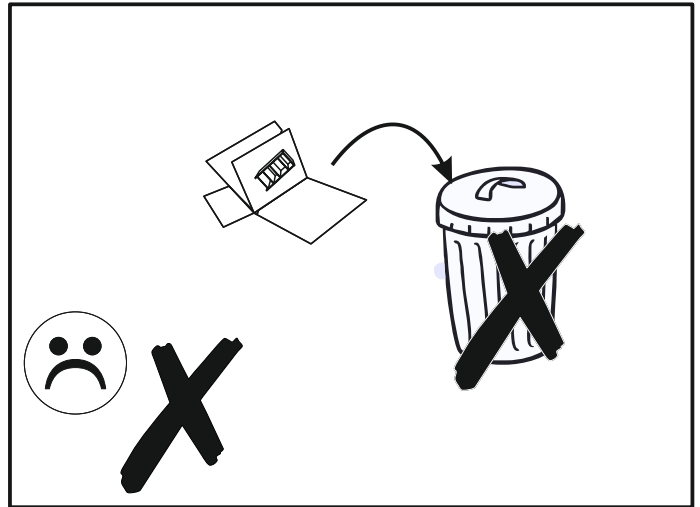
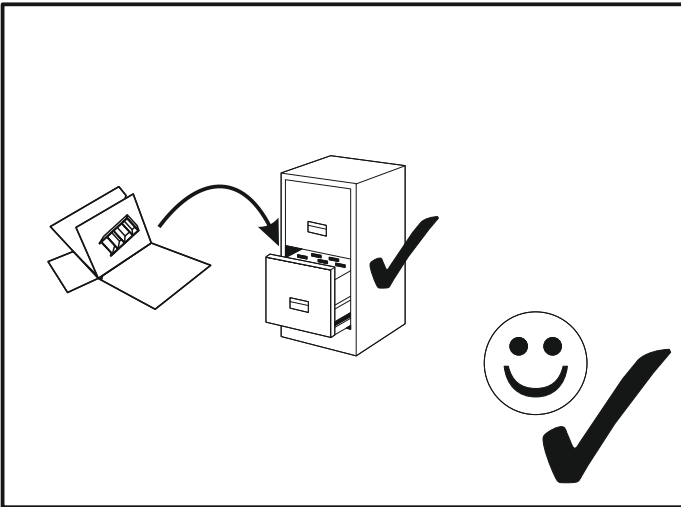
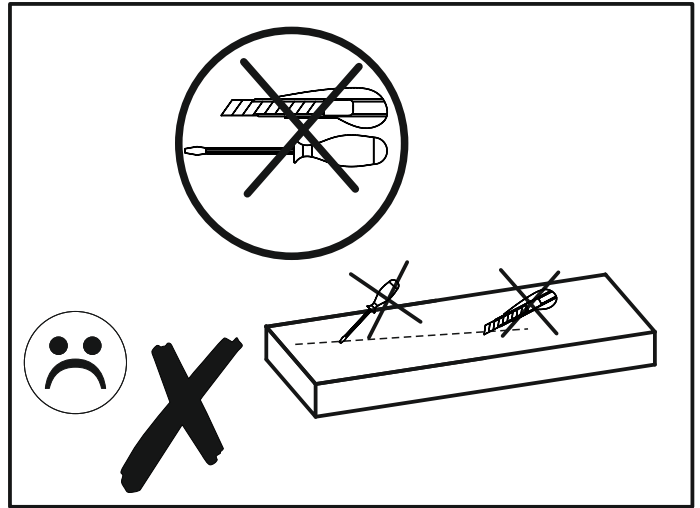
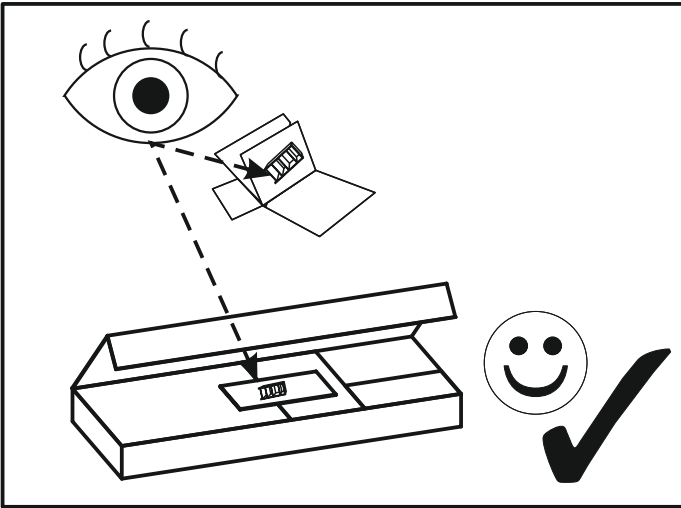
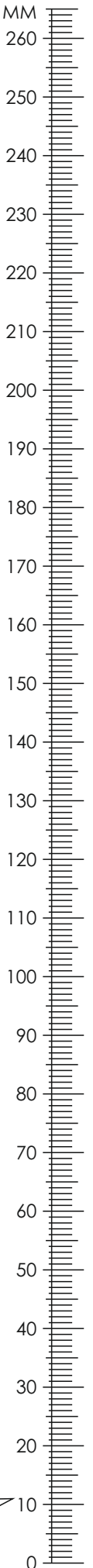


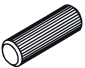

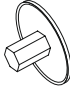

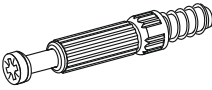
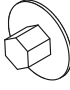

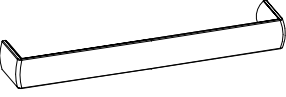


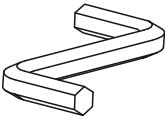
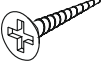
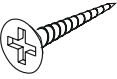
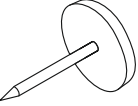
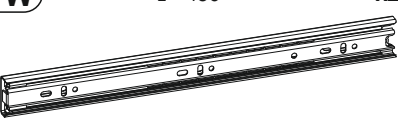
CNAT04

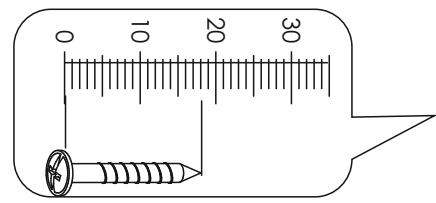




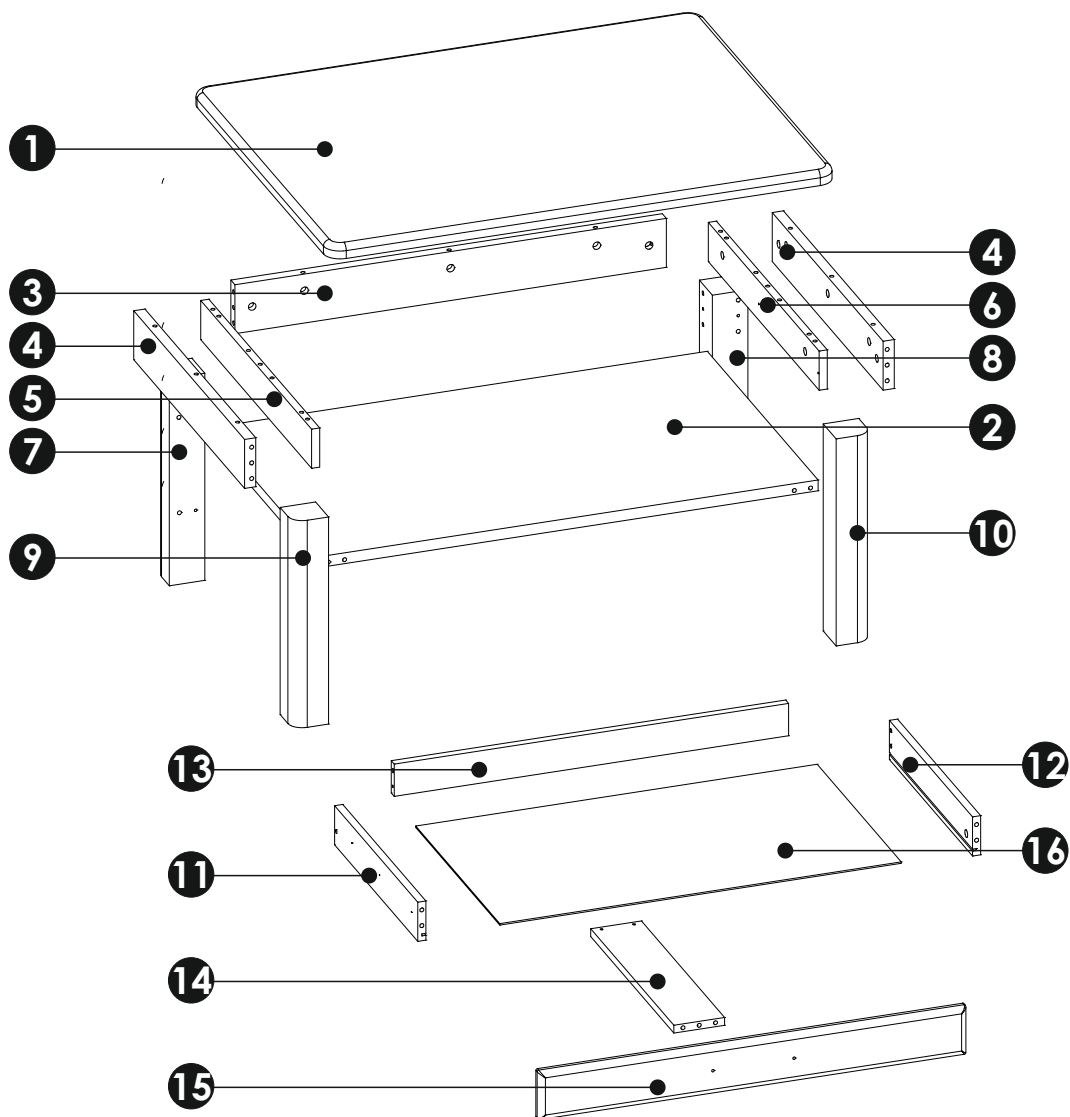
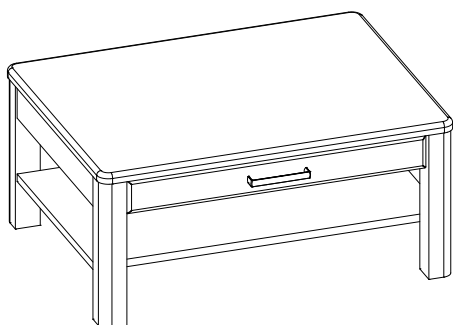
CNAT04



A1 8 x 35 mm x30 	C2 5 x 13 mm x4 	E0 x24 
E1 15 x 12 mm x28 	F1 6 x 34 mm x28 	G0 x2 
G1 7 x 50 mm x2 	H1 L-160 x1 	J10 3,5 x 40 mm x2 
K4 M4 x 25mm x2 	M x1 	N1 3 x 16 mm x10 
N2 3,5 X 16 mm x6 	O2 x8 	PW L - 450 x2 



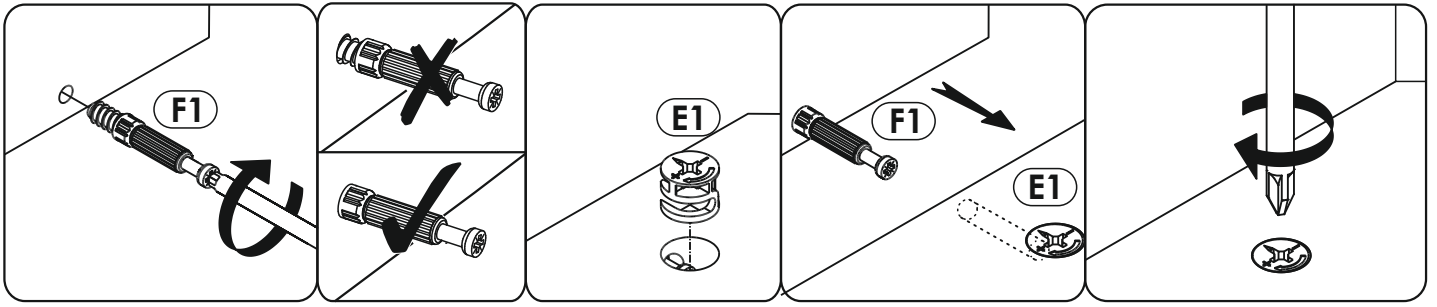
CNAT04



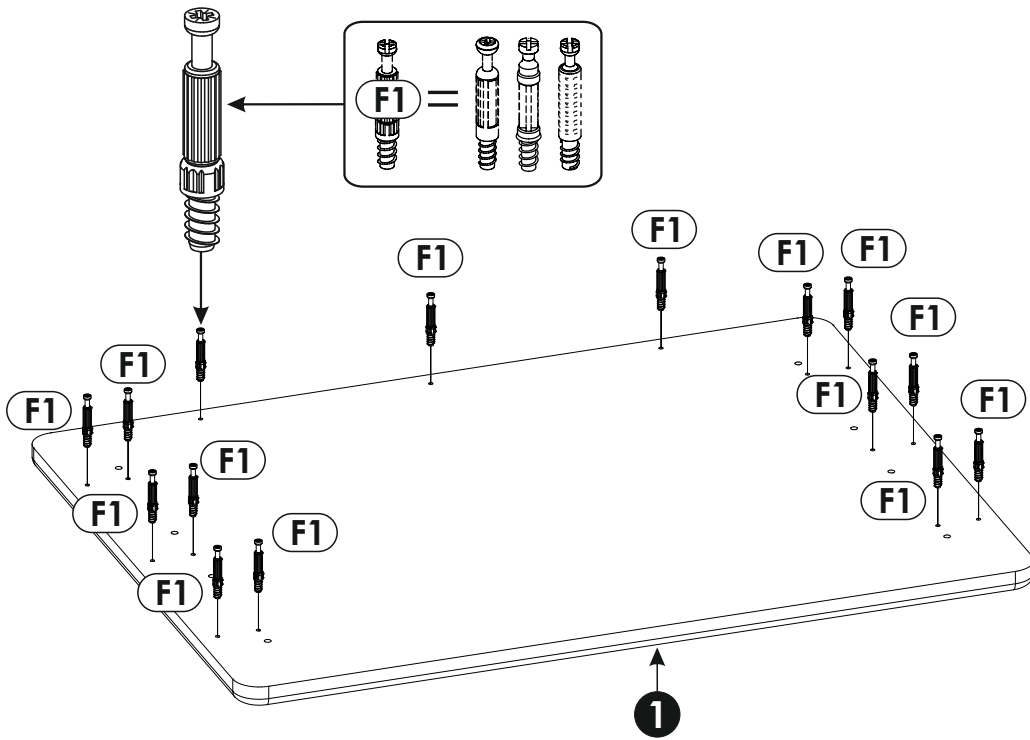
1	1000	750	28	x1	2/2
2	980	600	22	x1	2/2
3	850	100	22	x1	1/2
4	600	100	22	x2	1/2
5	600	80	16	x1	1/2
6	600	80	16	x1	1/2

7	423	70	70	x1	1/2
8	423	70	70	x1	1/2
9	423	70	70	x1	1/2
10	423	70	70	x1	1/2
11	450	80	16	x1	1/2

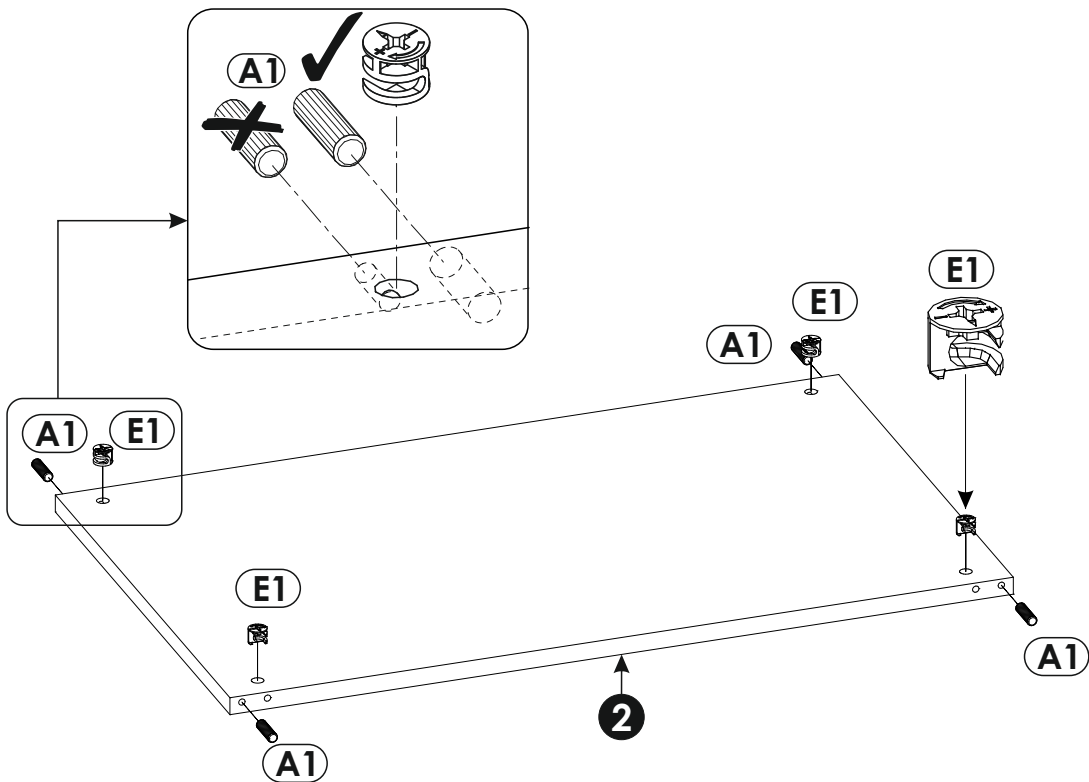
12	450	80	16	x1	1/2
13	777	66	16	x1	1/2
14	450	100	16	x1	1/2
15	844	100	19	x1	2/2
16	791	455	3	x1	2/2



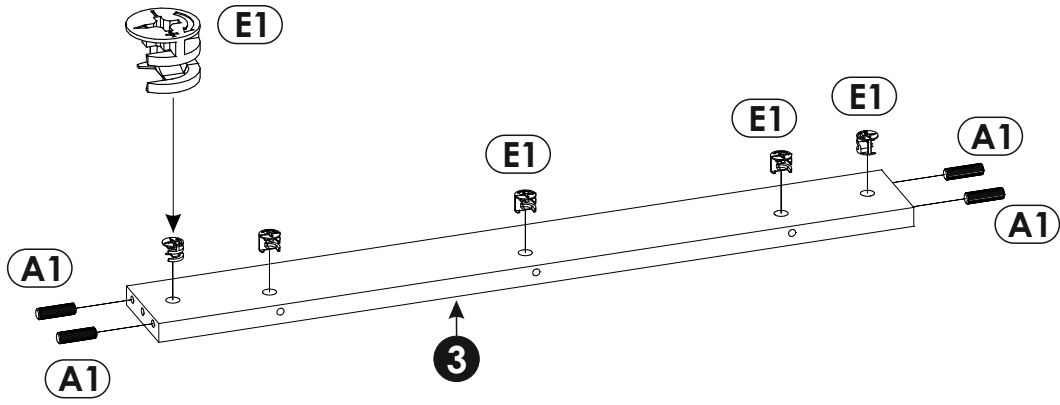
1 ▶



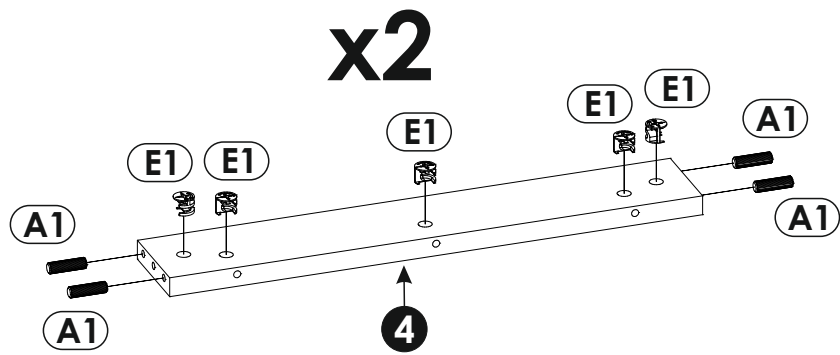
2 ▶



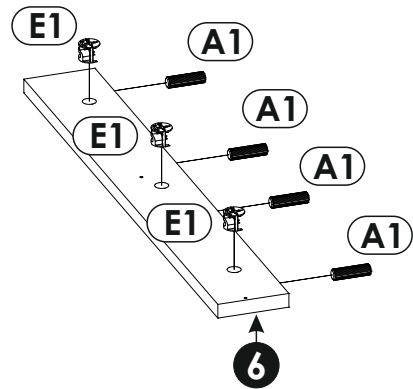
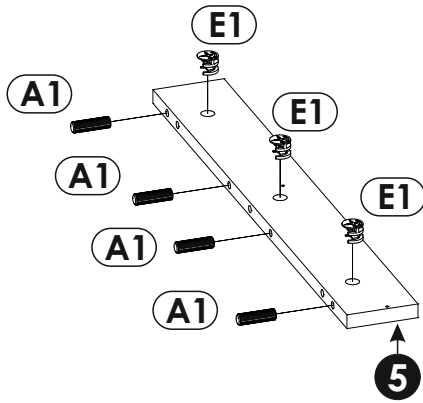
3▶



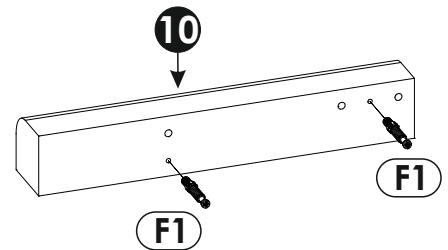
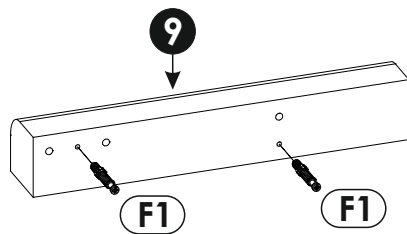
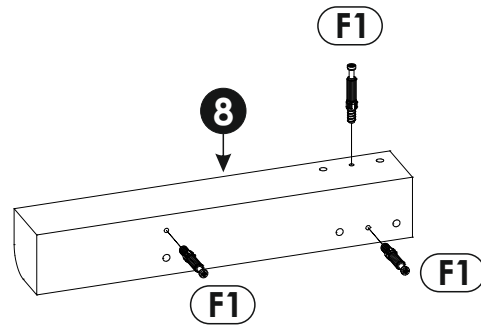
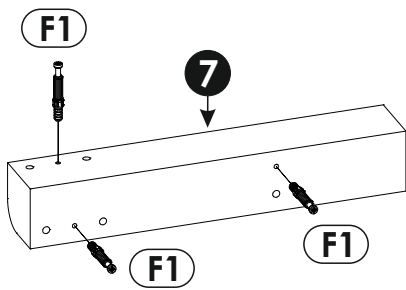
4▶



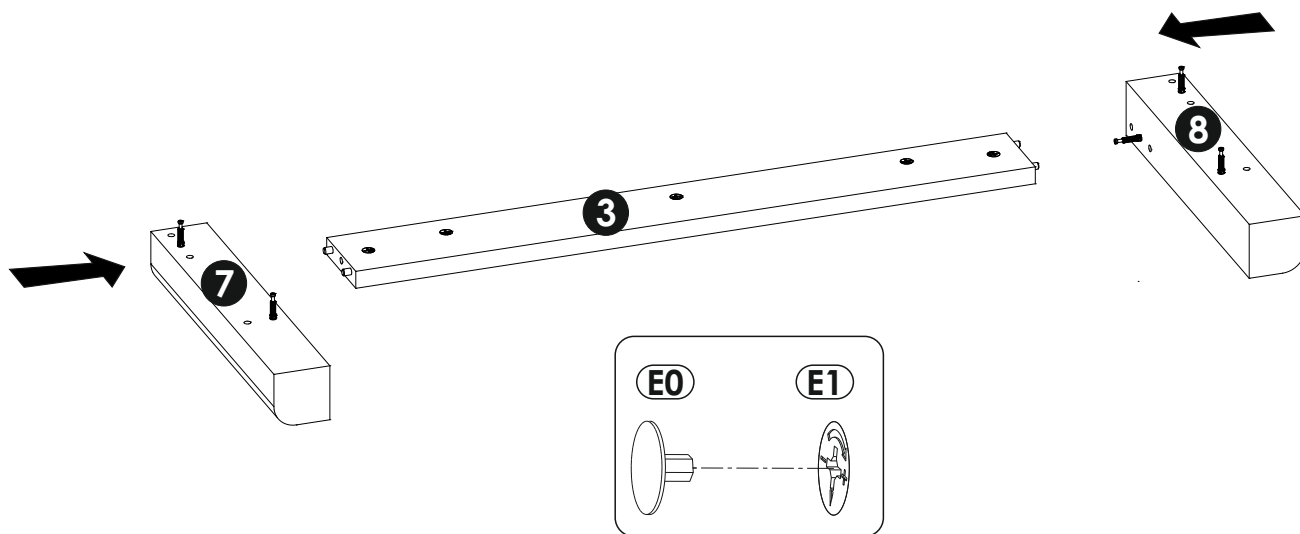
5 ▶



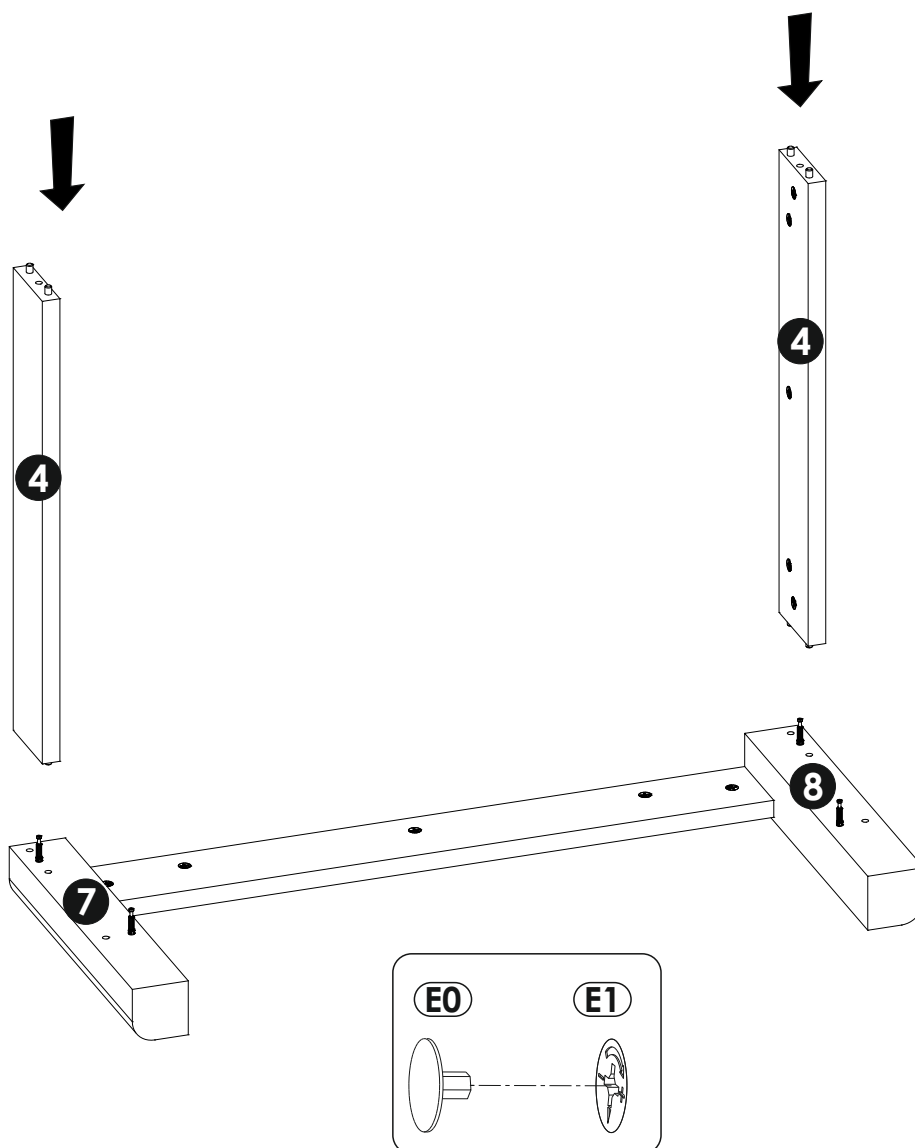
6 ▶



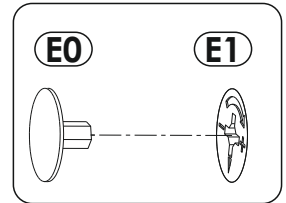
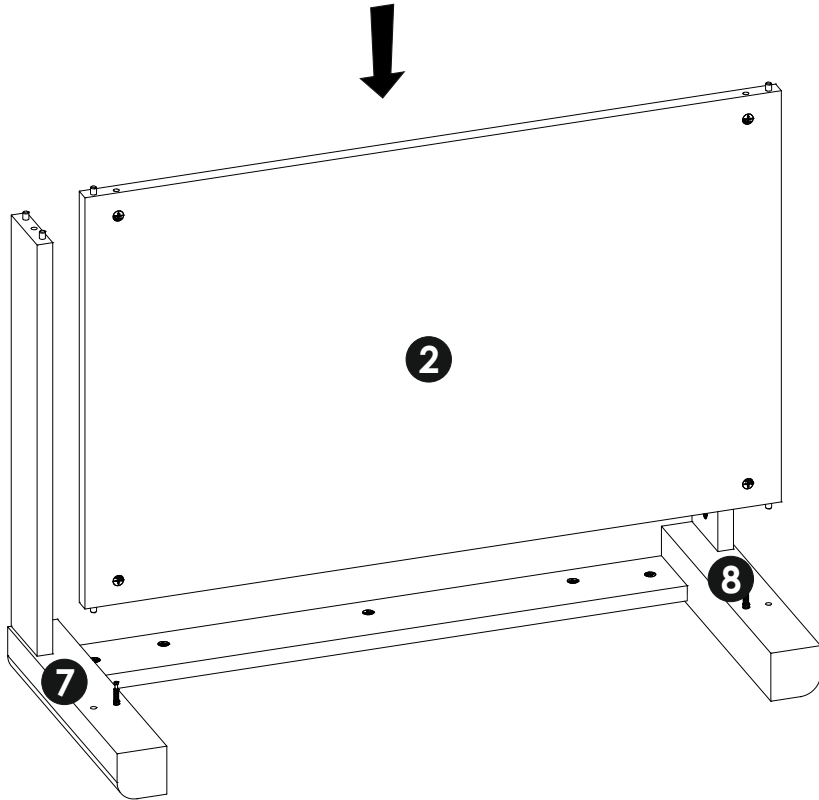
7 ▶



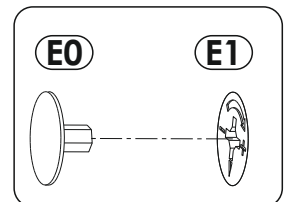
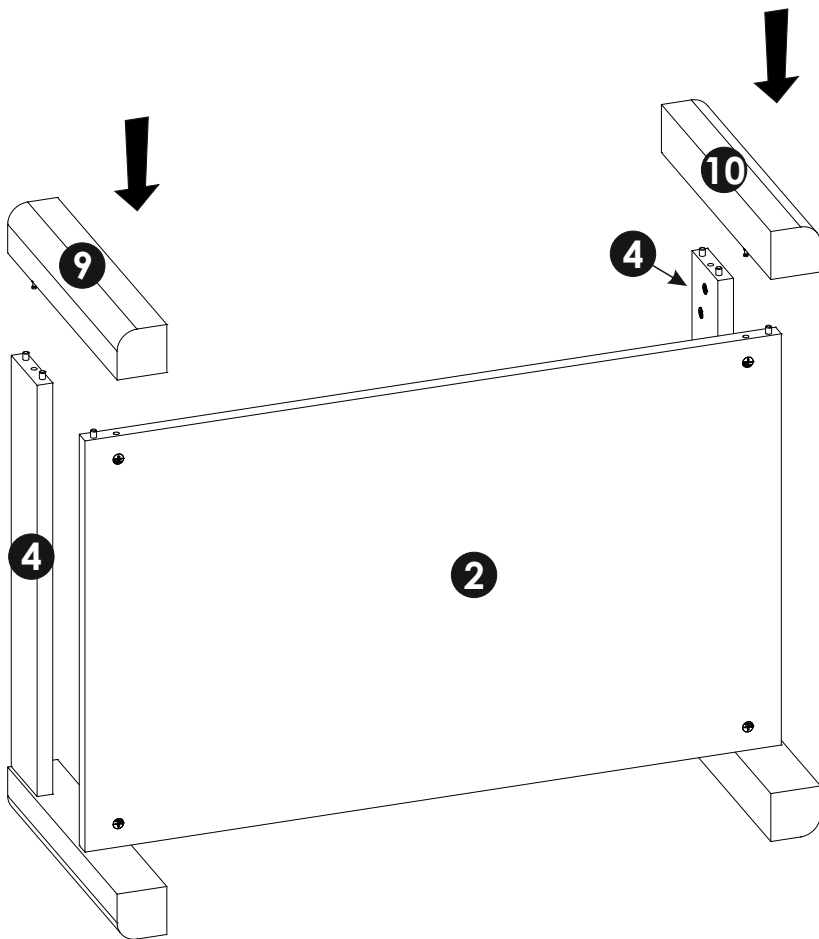
8 ▶



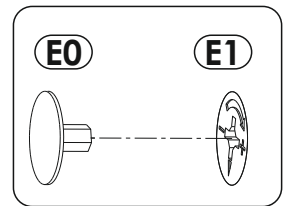
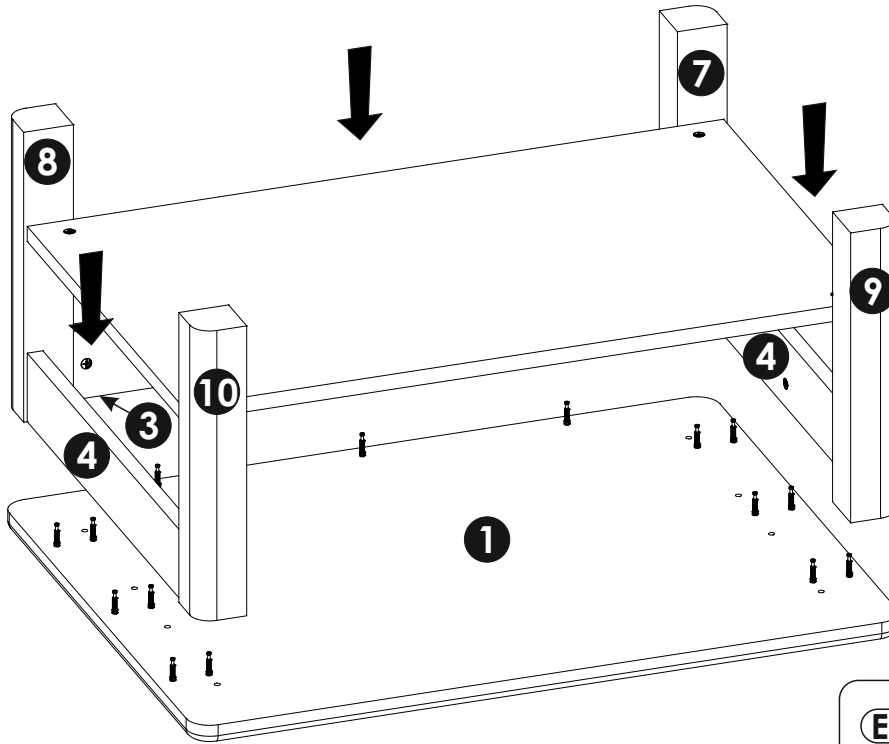
9 ▶



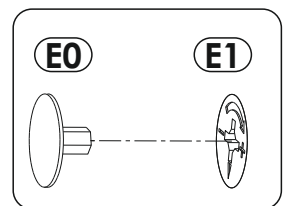
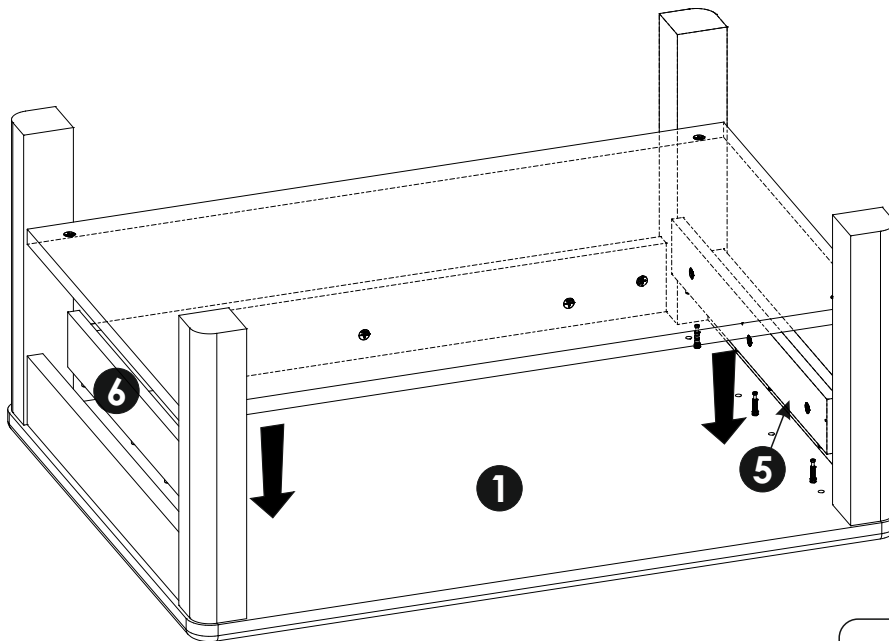
10 ▶



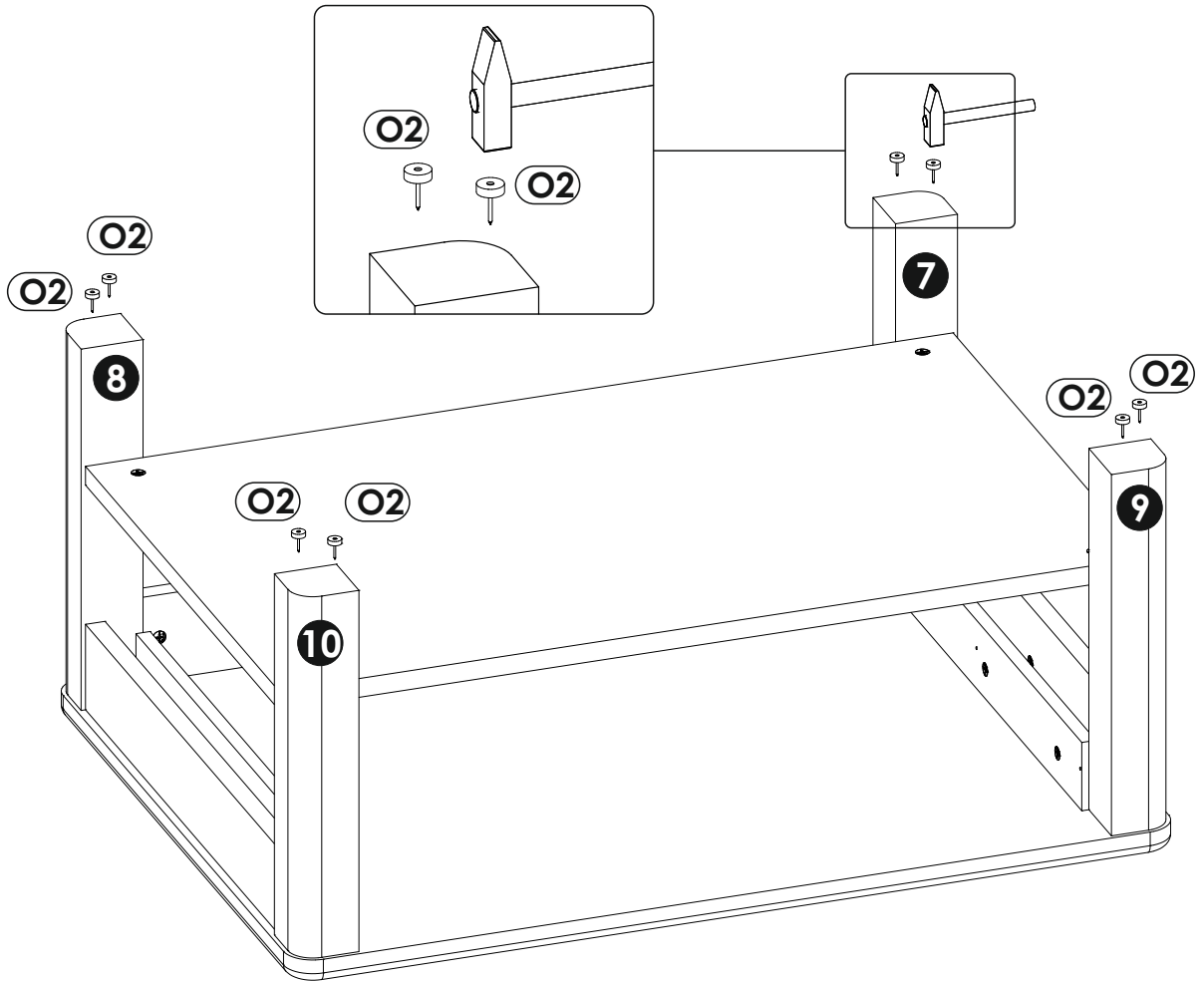
11 ▶

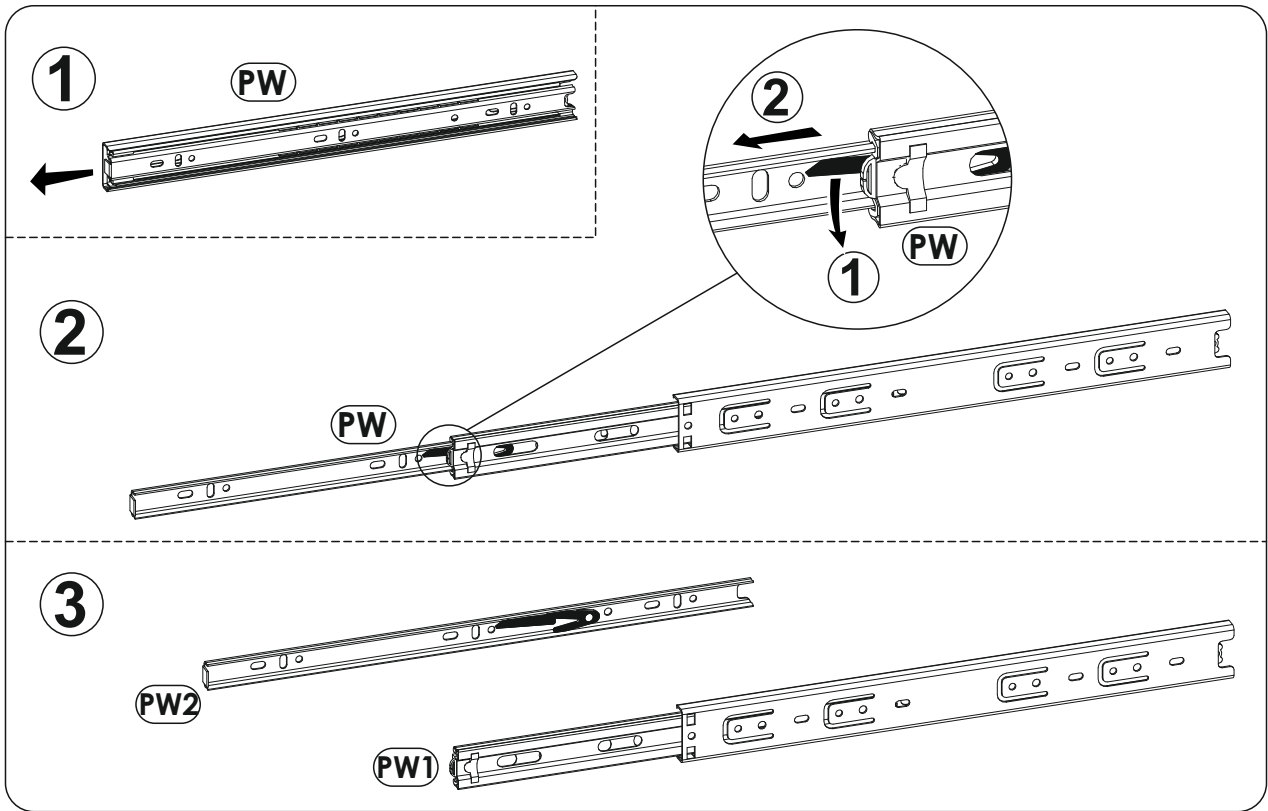


12 ▶

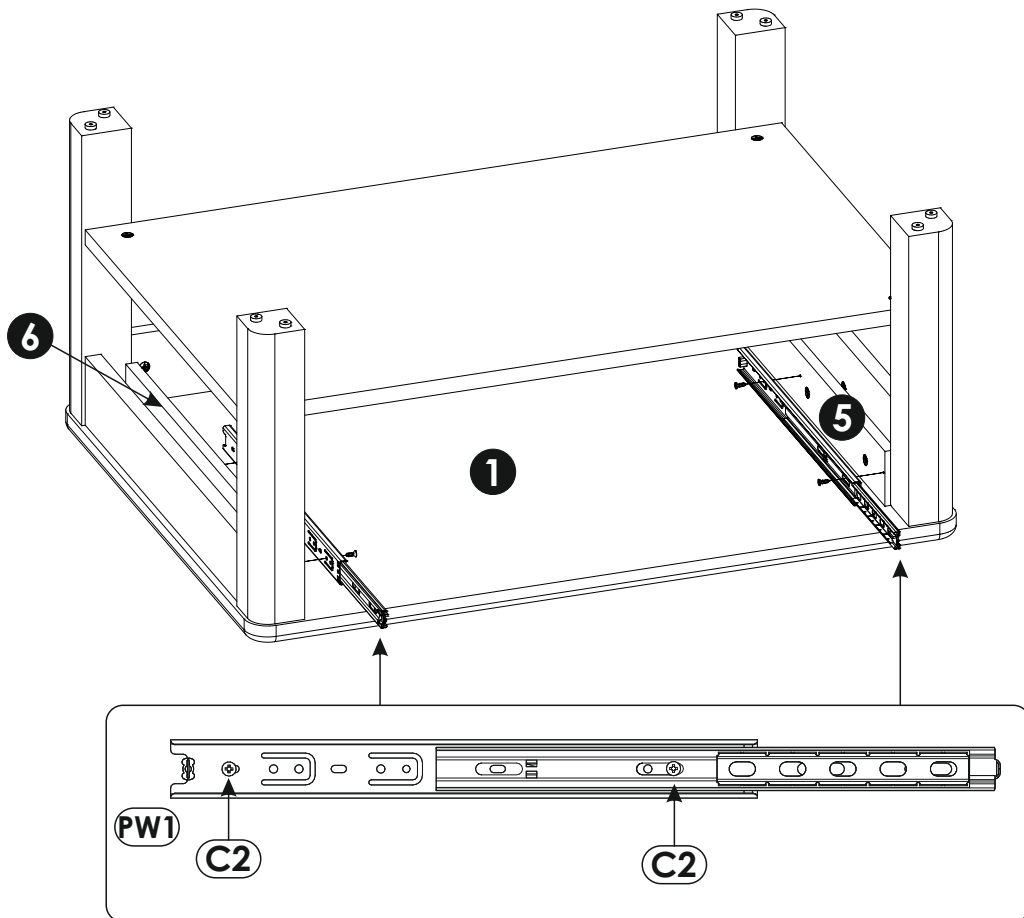


13▶

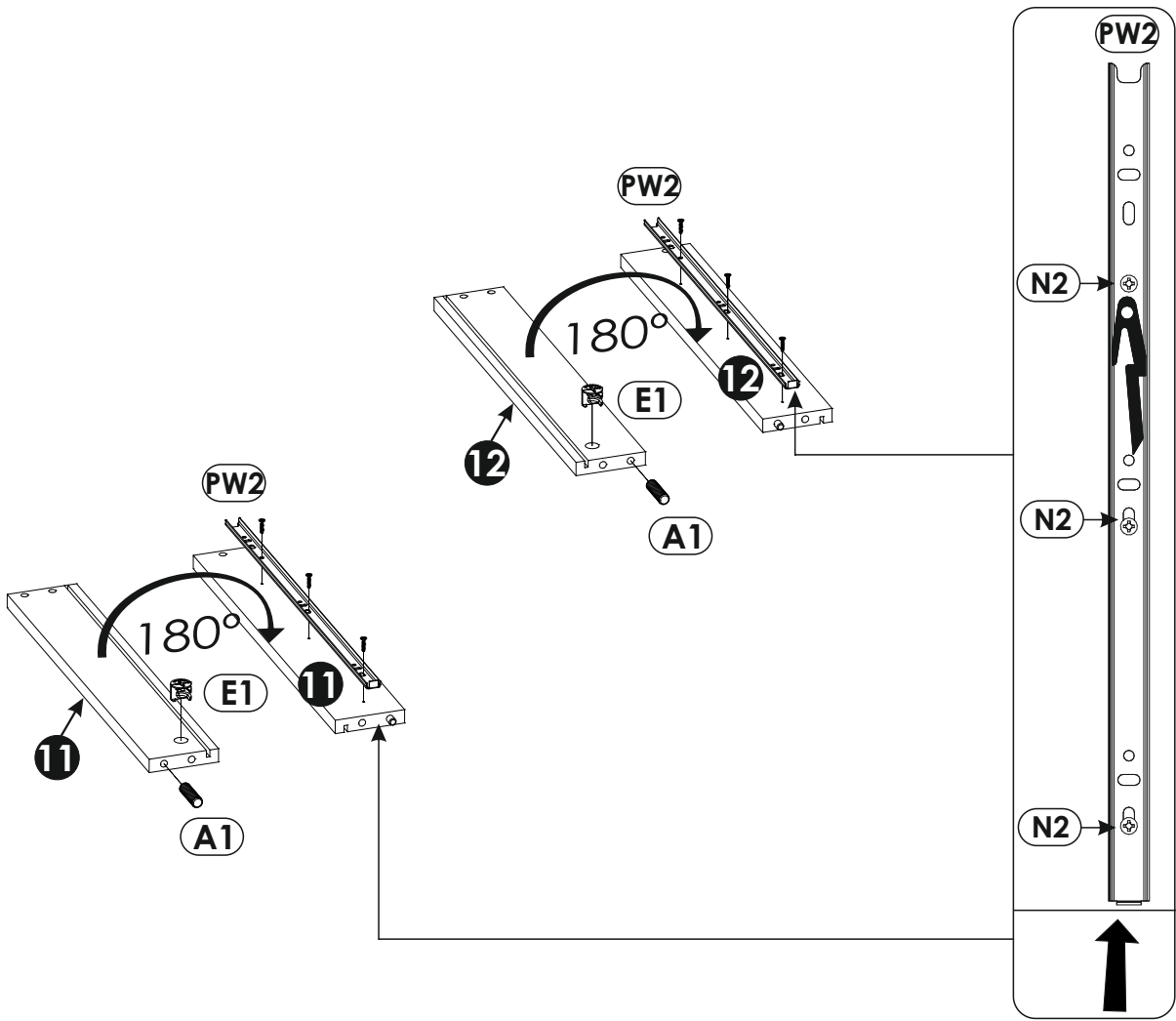




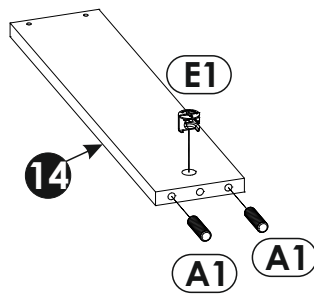
14 ▶



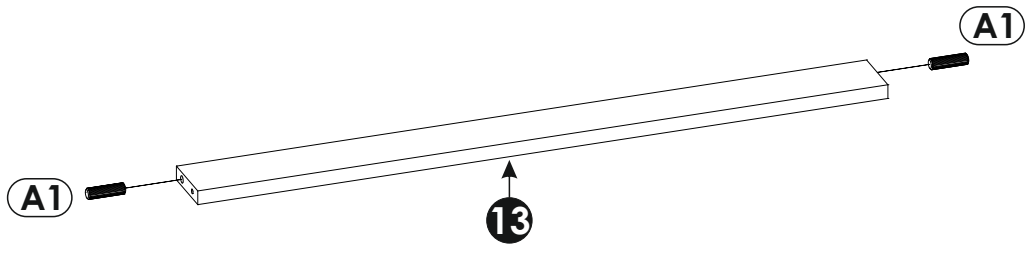
15▶



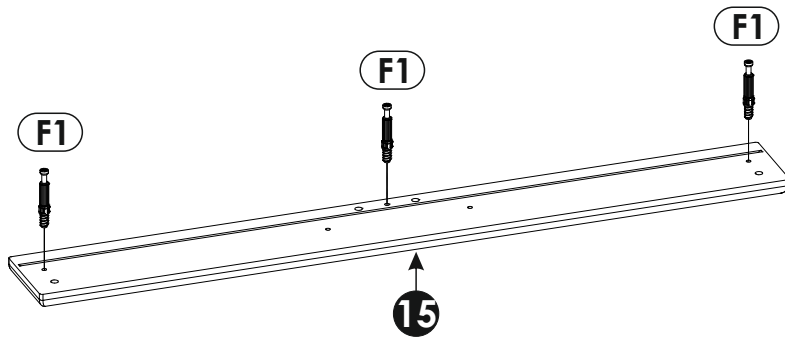
16▶



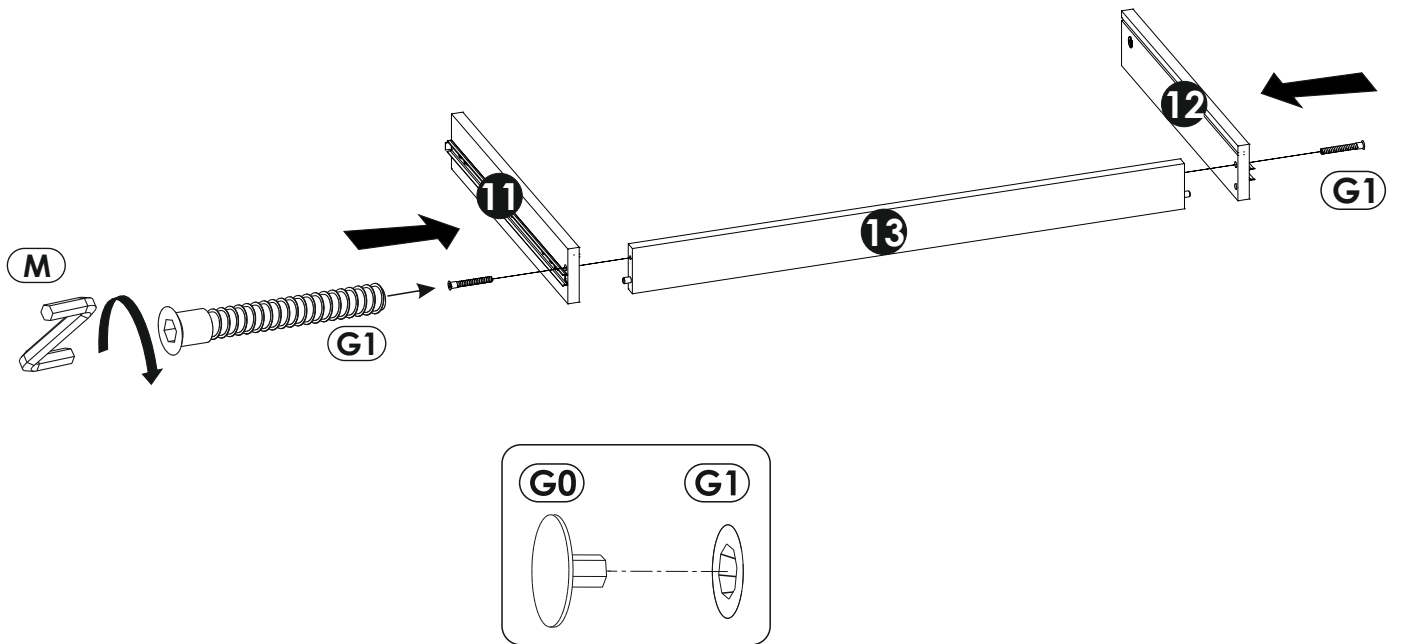
17▶



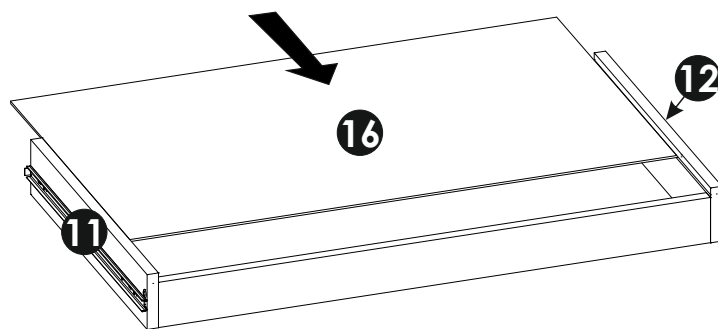
18▶



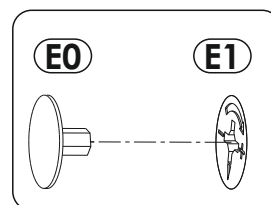
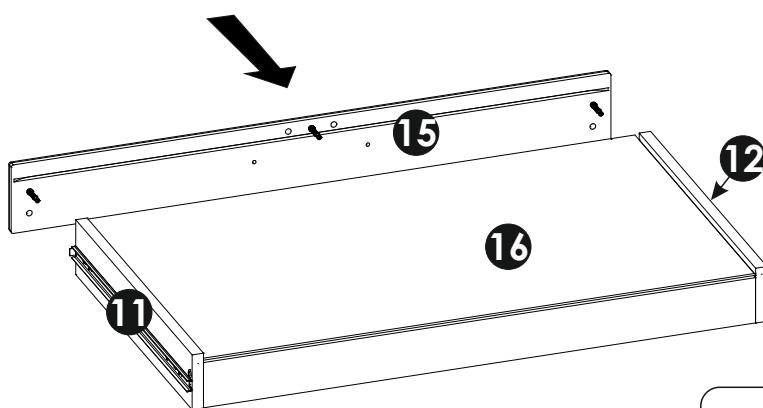
19▶



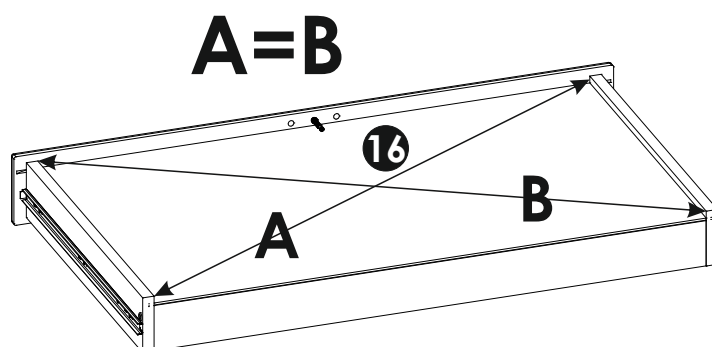
20 ▶



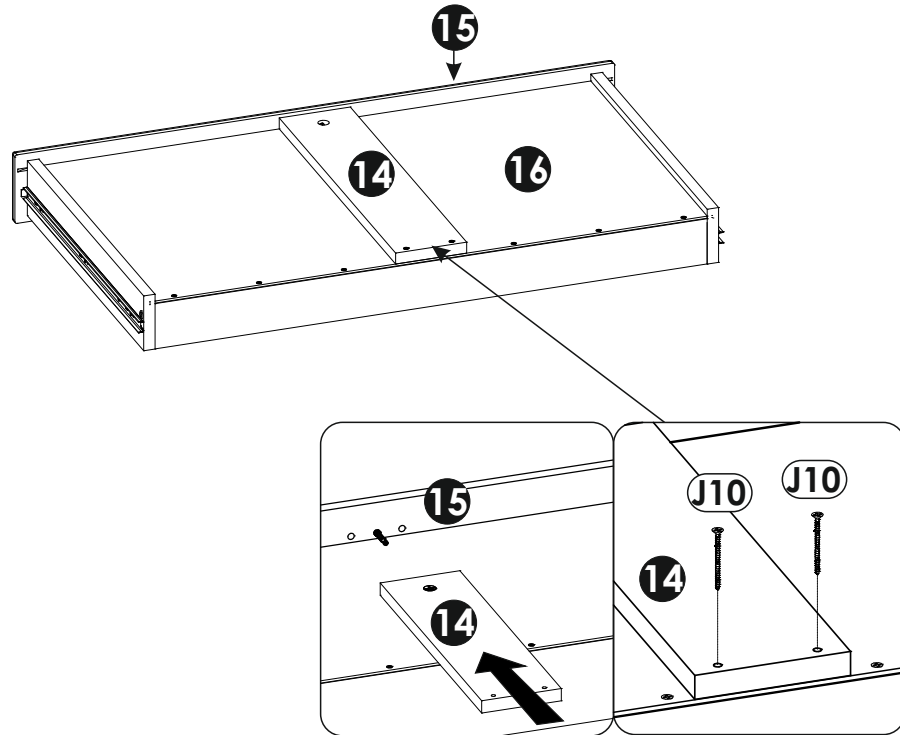
21 ▶



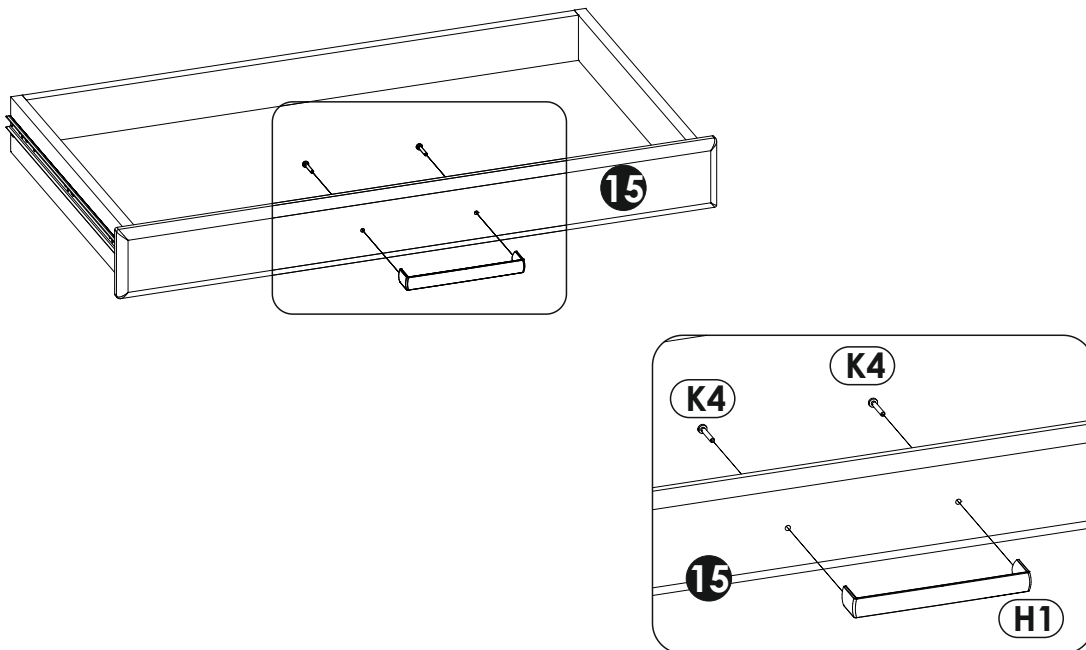
22 ▶



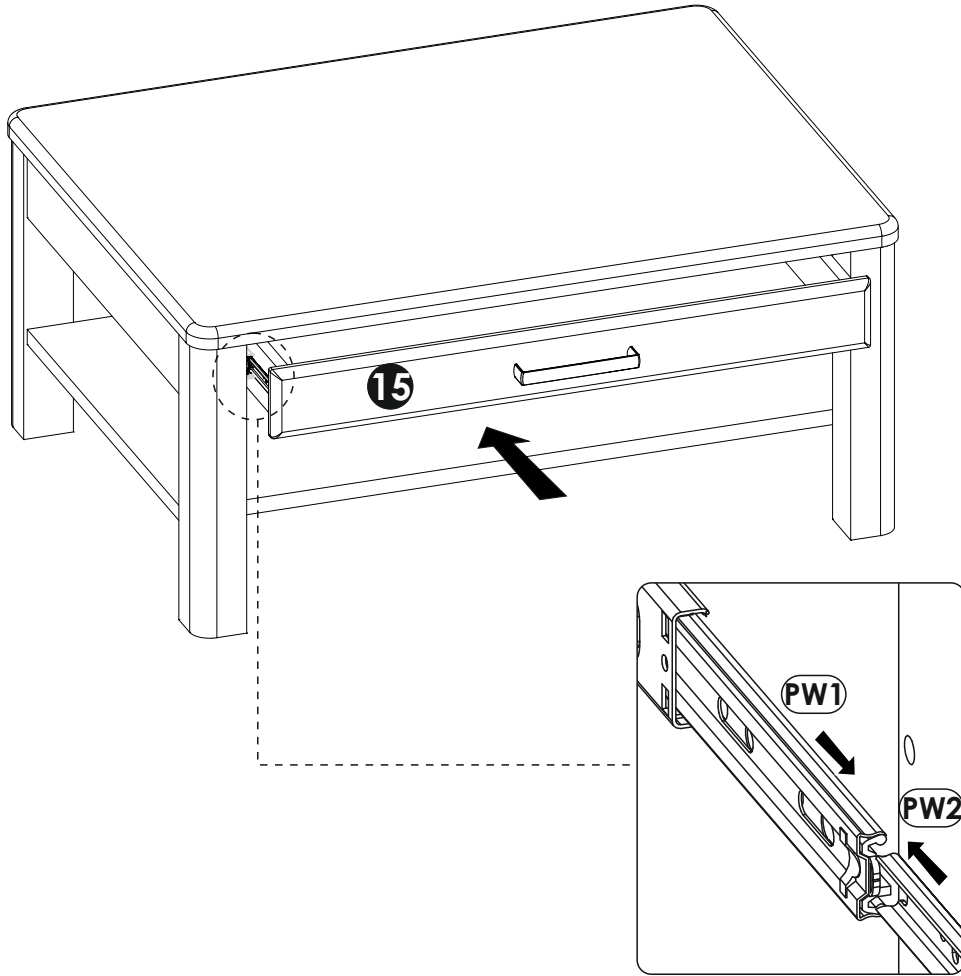
23▶



24▶



25▶



26▶

