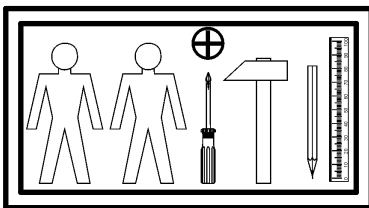
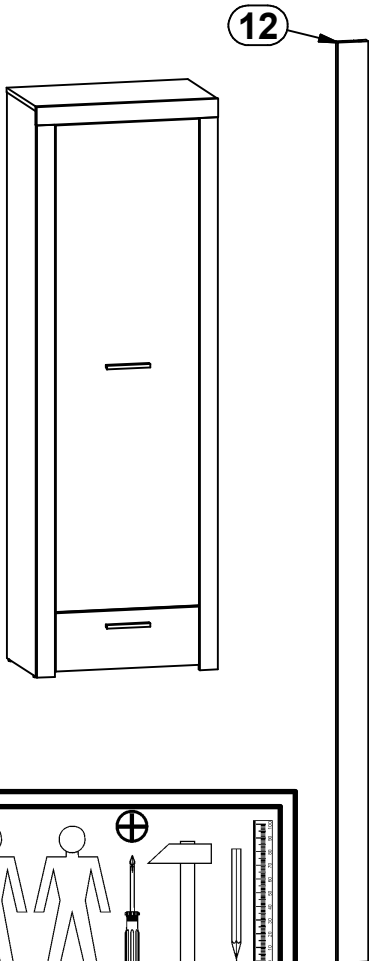
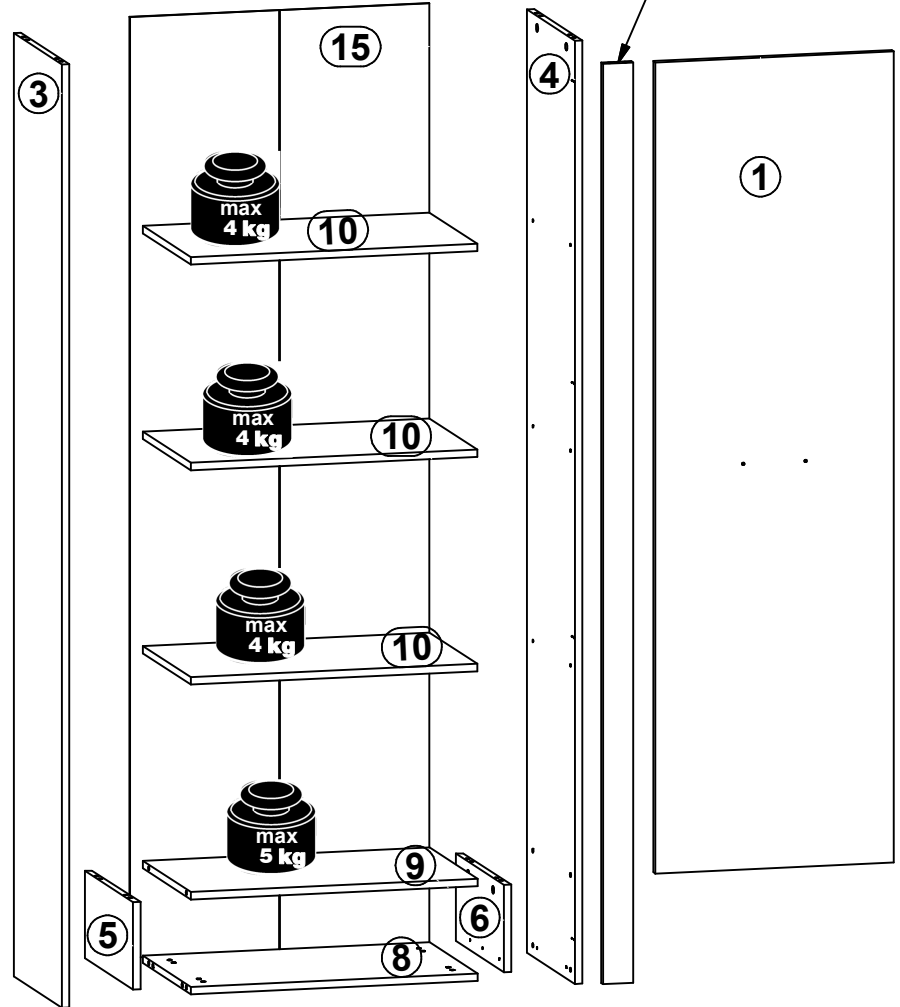
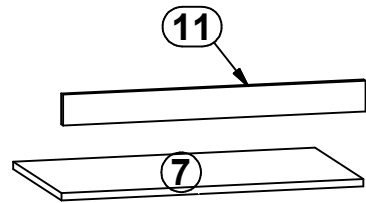
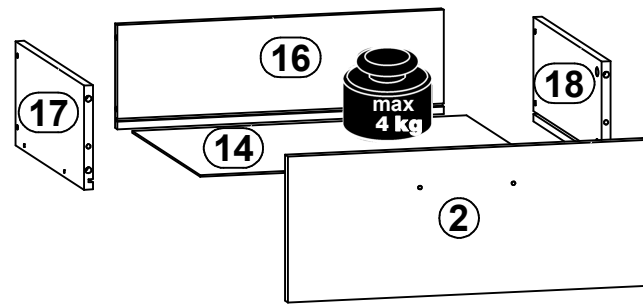
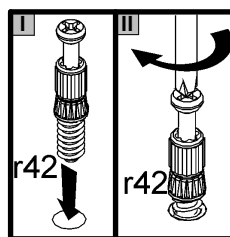
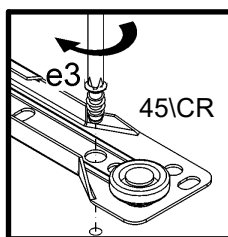
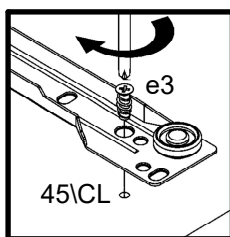
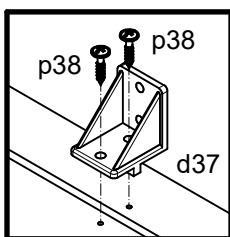
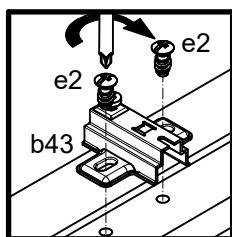
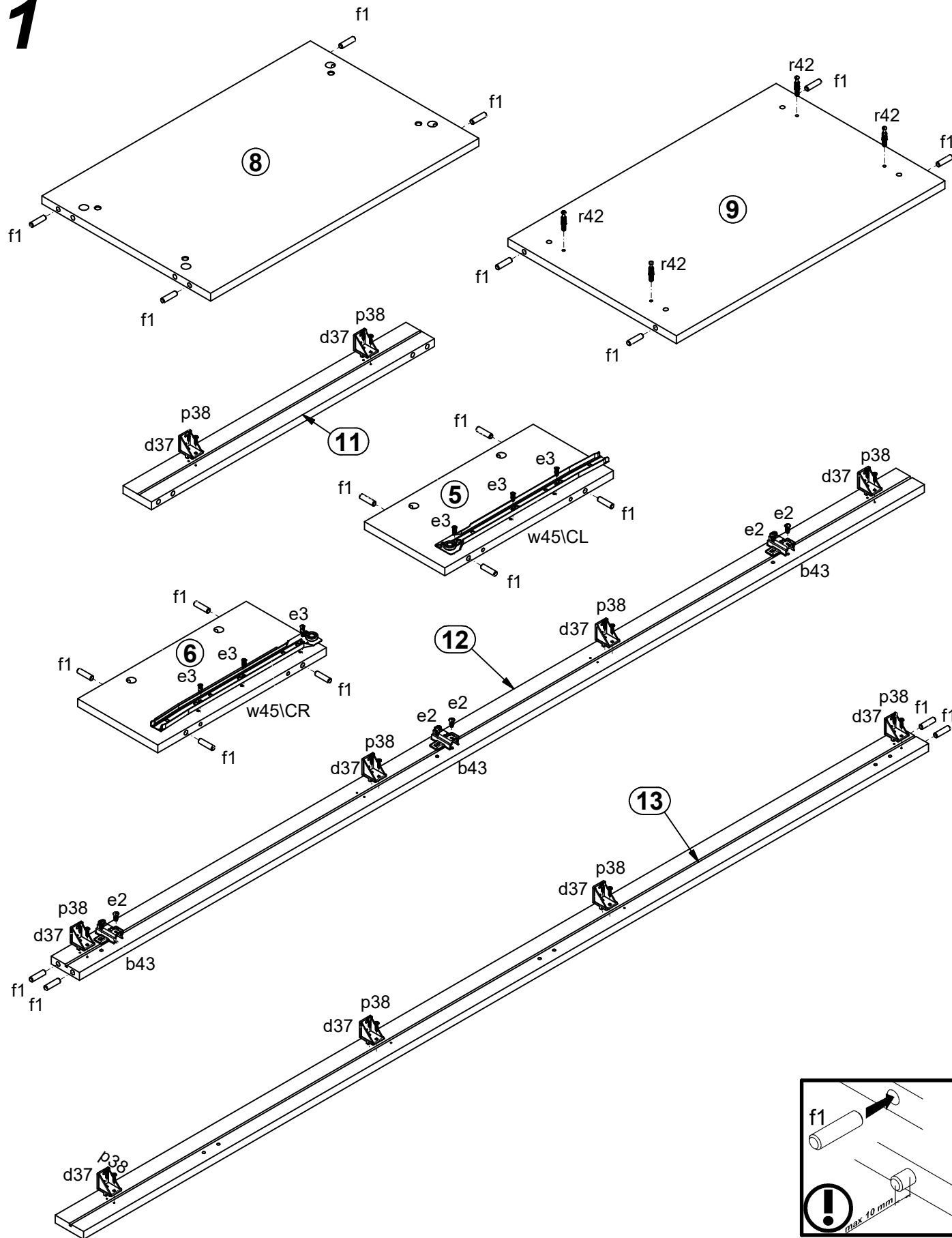


A	B	C	D
1	S382-0010	1634	490
2	S382-0011	490	196
3	S382-1019	1900	370
4	S382-1020	1900	370
5	S382-1021	176	370
6	S382-1022	176	370
7	S382-2006	620	370
8	S382-3011	589	370
9	S382-3012	589	370
10	S382-3014	588	368
11	S382-5015	621	62
12	S382-5016	1854	62
13	S382-5017	1854	62
14	S382-9006	458	348
15	S382-9303	1895	615
16	ZS4-5508	447	140
17	ZS6-501	350	140
18	ZS6-502	350	140

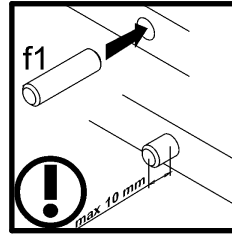
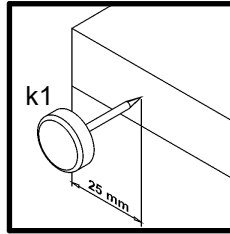
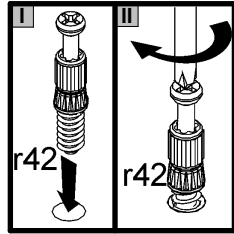
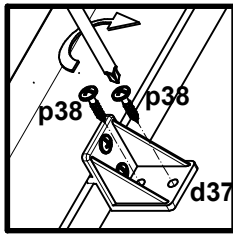
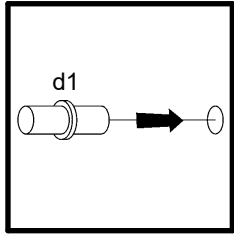
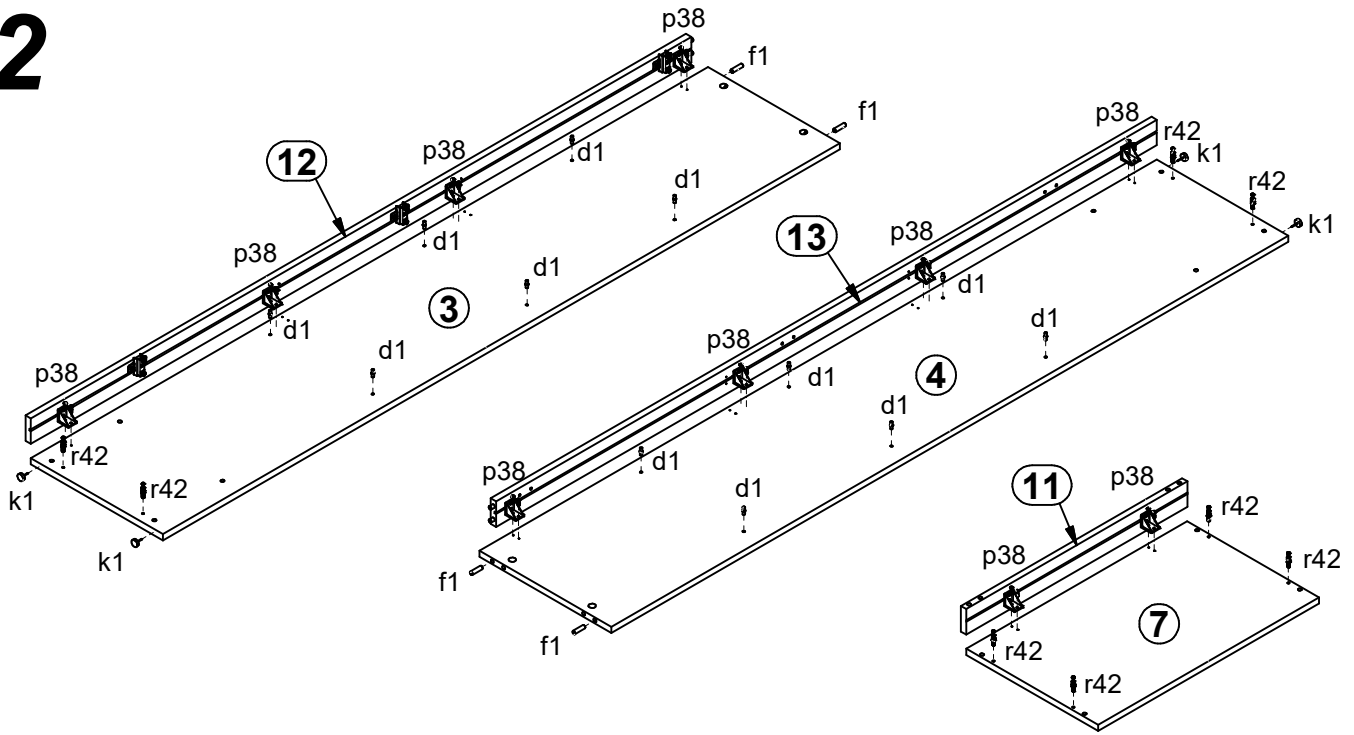


3x  a132	3x  b43	2x  c328 128 mm	12x  d1 Ø5x17 mm	10x  d37	4x  e1 Ø7x50 mm	4x  e19 Ø5x9 mm	6x  e2 Ø6.3x13 mm	6x  e3 Ø6x13 mm
24x  f1 Ø8x30 mm	2x  f9 Ø6x30 mm	4x  f25 Ø6.5x40 mm	4x  k1	55x  l1	40x  p38 Ø3.5x16 mm	6x  p51 Ø3.5x15 mm	4x  p60 Ø4x22 mm	12x  r1 Ø15x12 mm #16
4x  r15 Ø12x10.5 mm #12	16x  r42 20/11	1x  w45\CL 350 mm	1x  w45\CR 350 mm	1x  w45\DL 350 mm	1x  w45\DR 350 mm	4x  s2 Ø16	1x  z1 4 mm	
							1x  n26\1	1x  p38 Ø3.5x16 mm

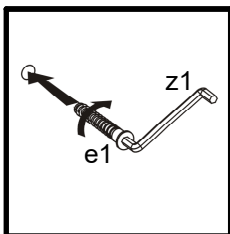
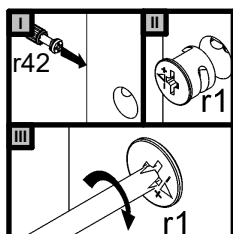
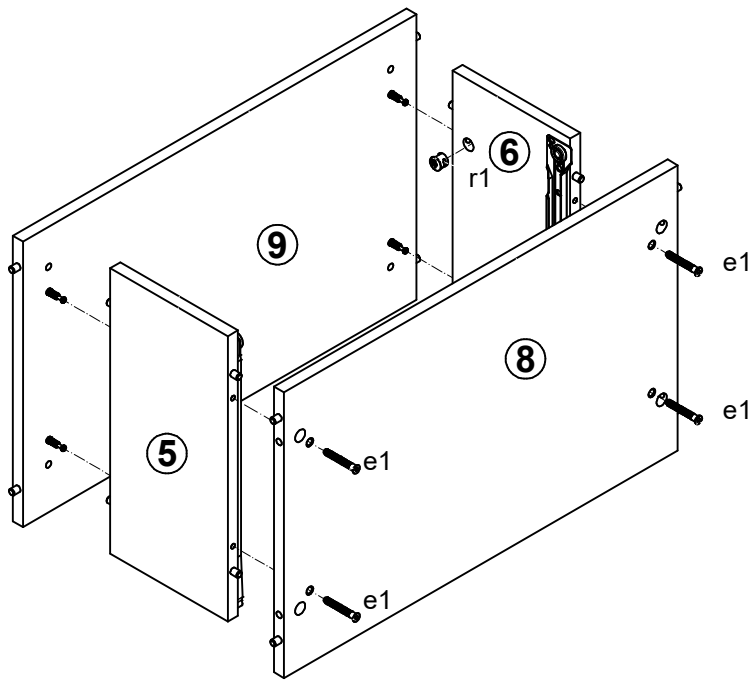
# 1



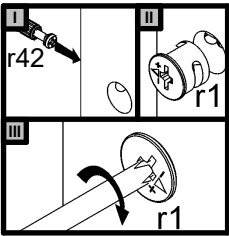
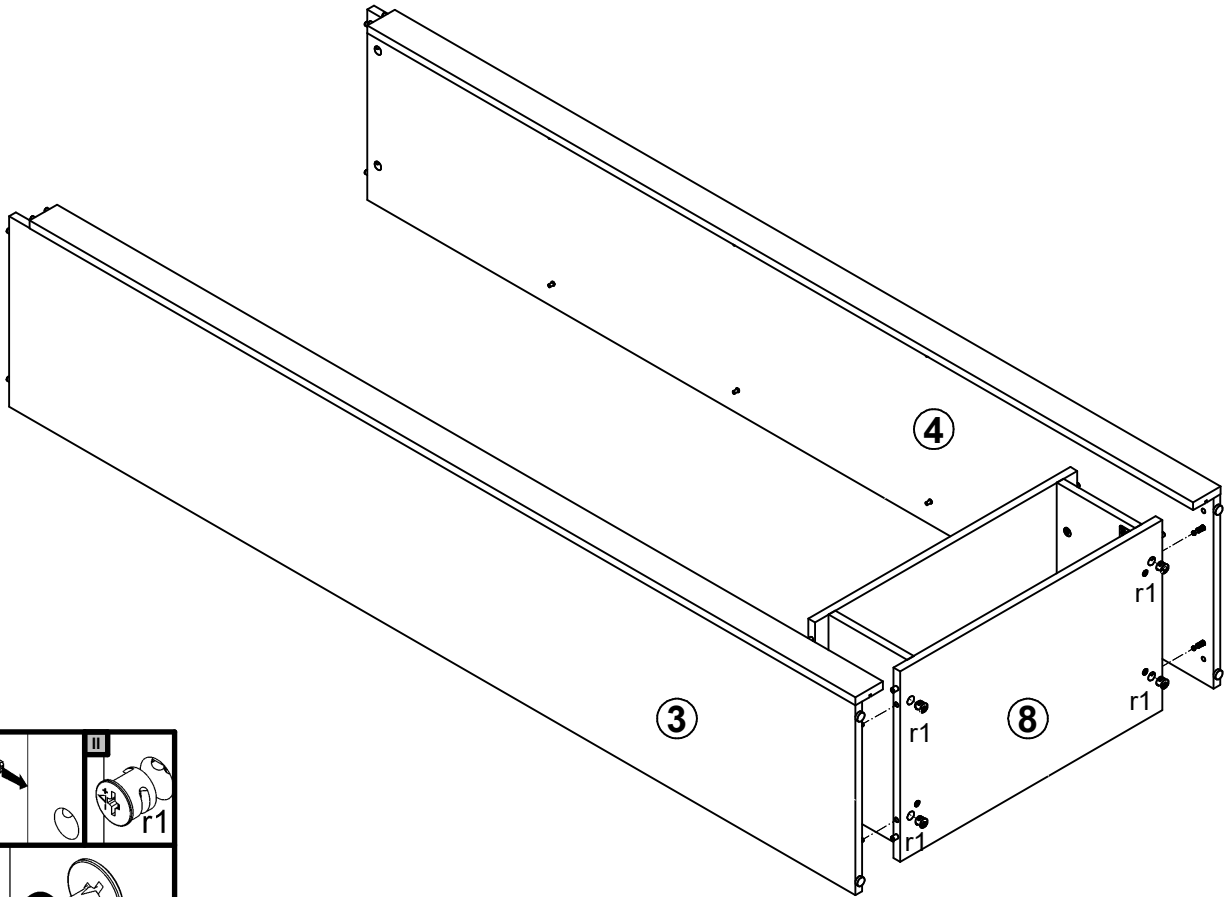
# 2



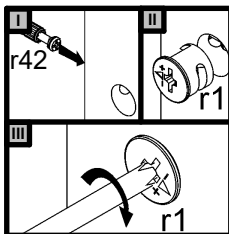
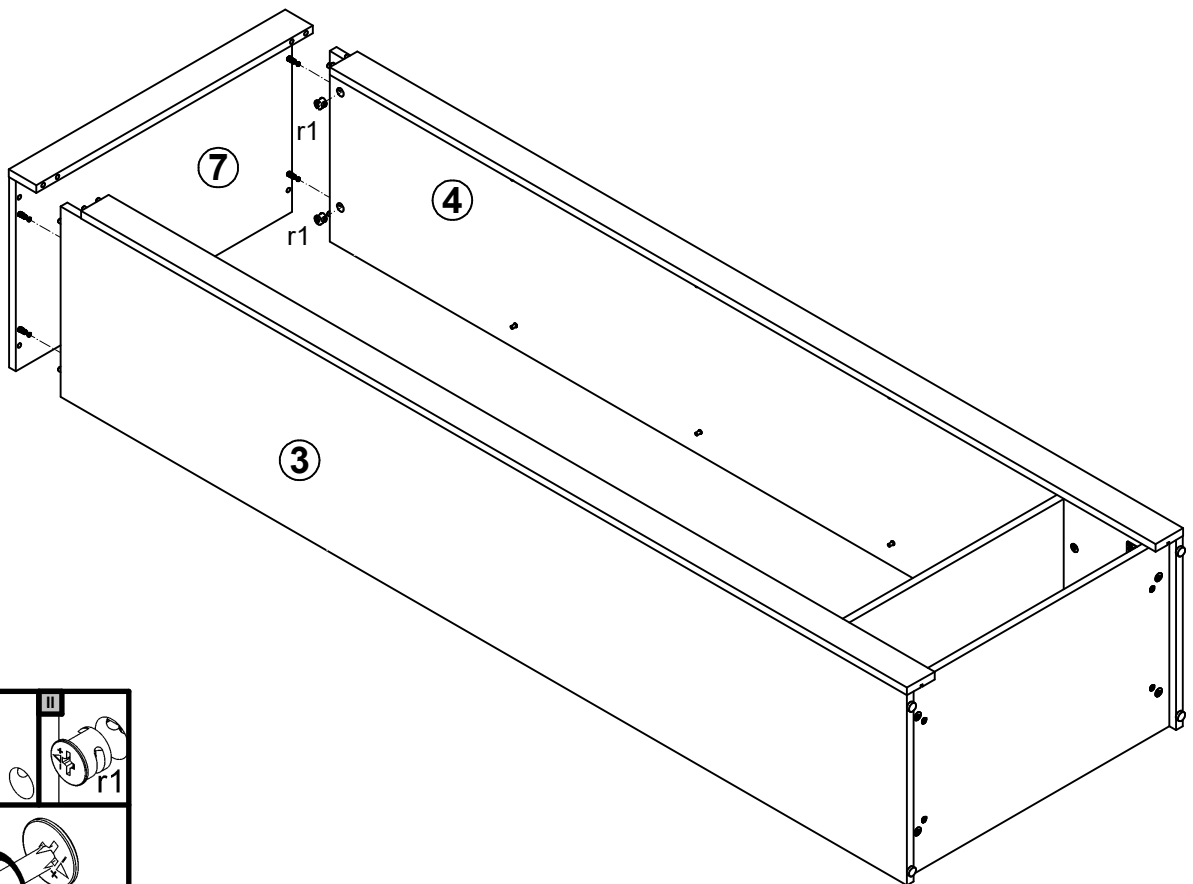
# 3



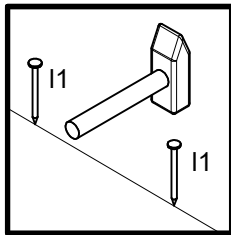
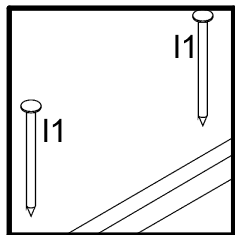
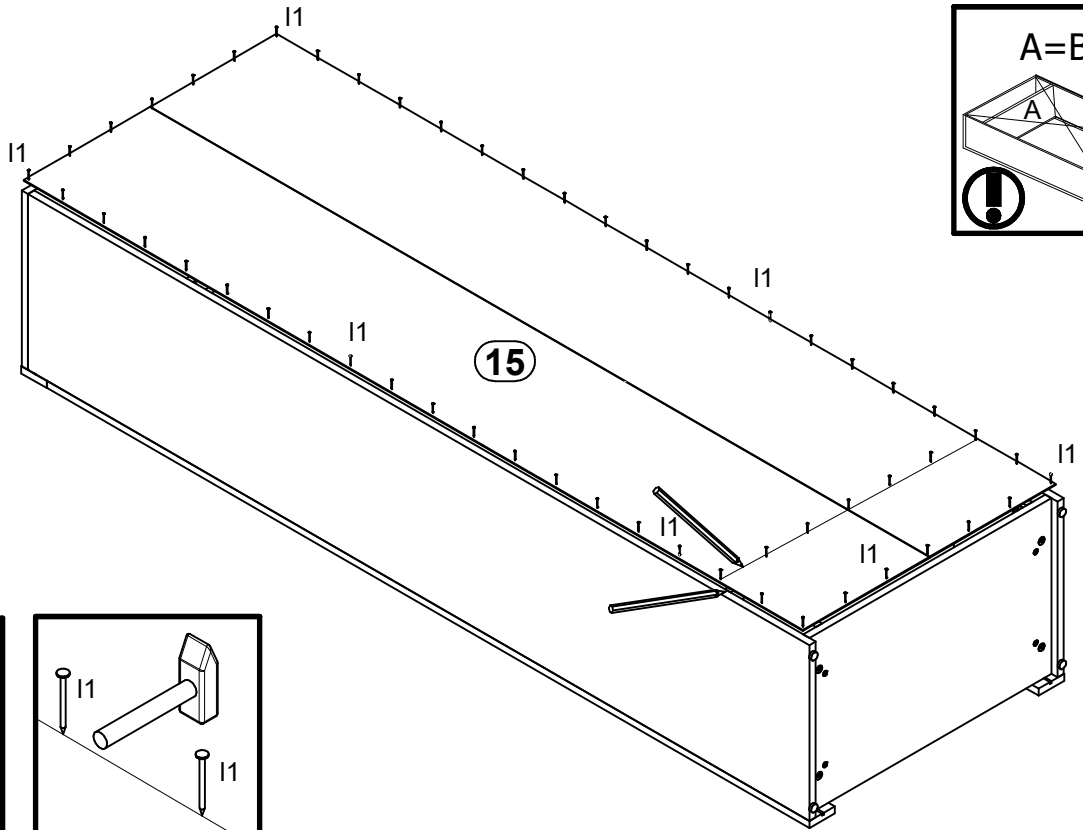
# 4



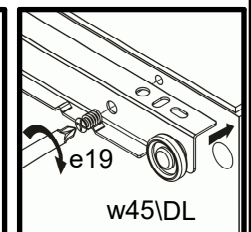
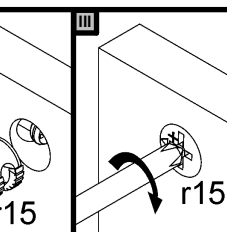
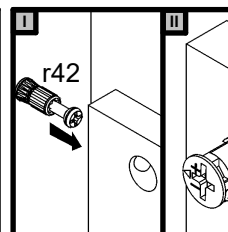
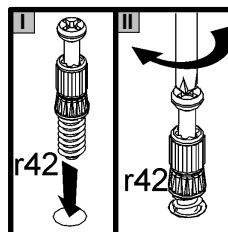
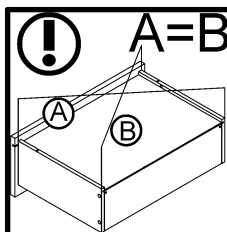
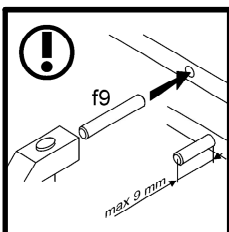
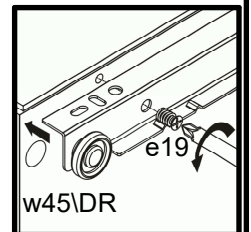
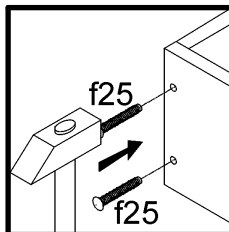
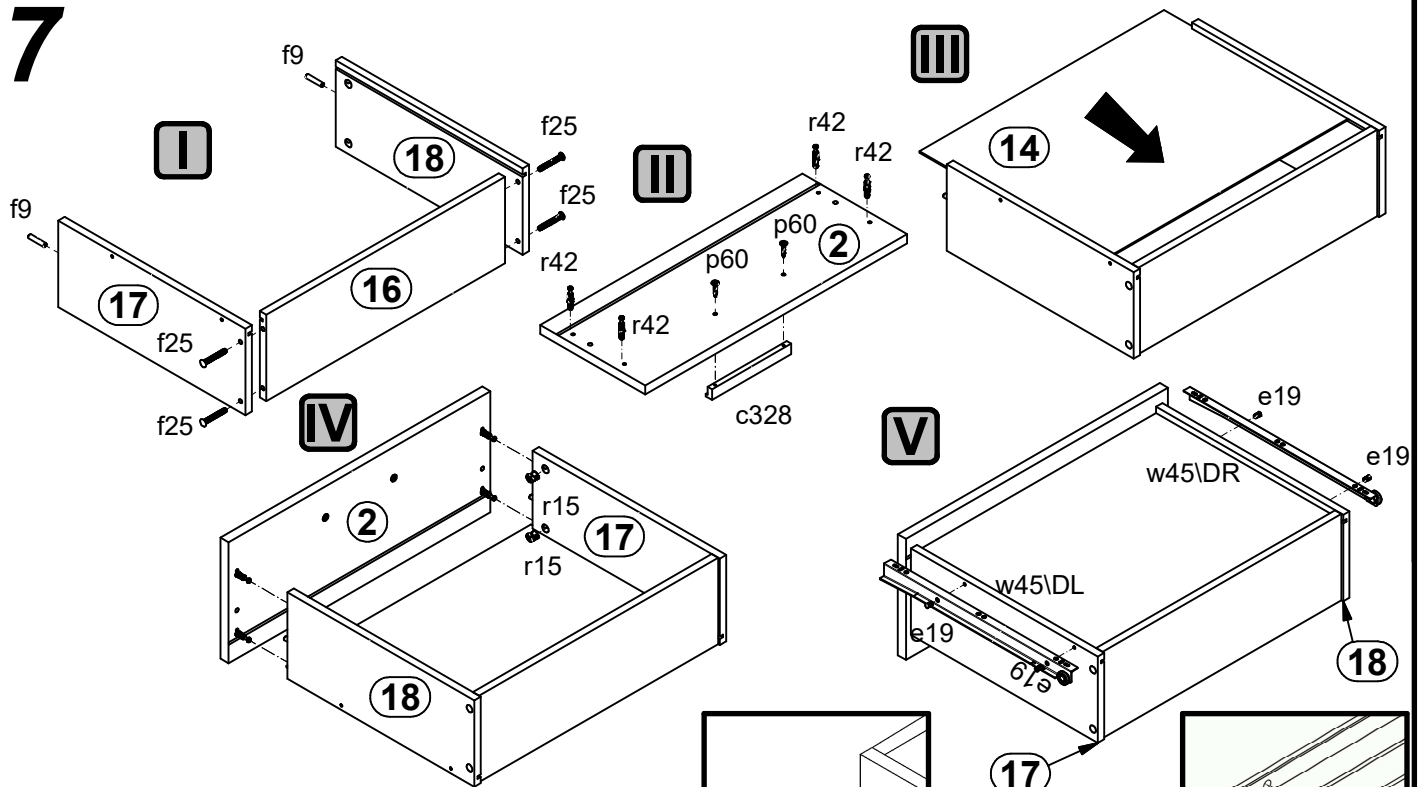
# 5



# 6



# 7



# 8

