





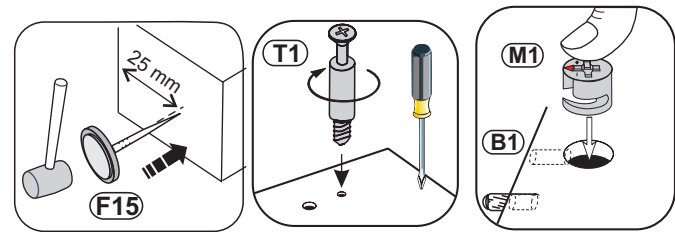
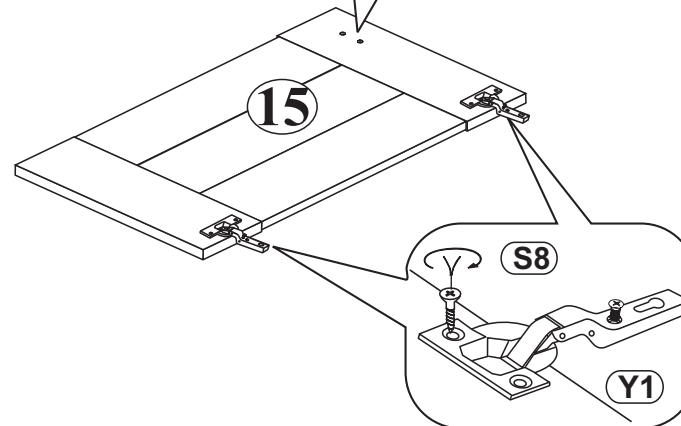
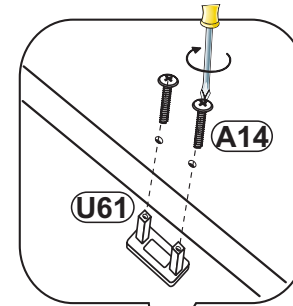
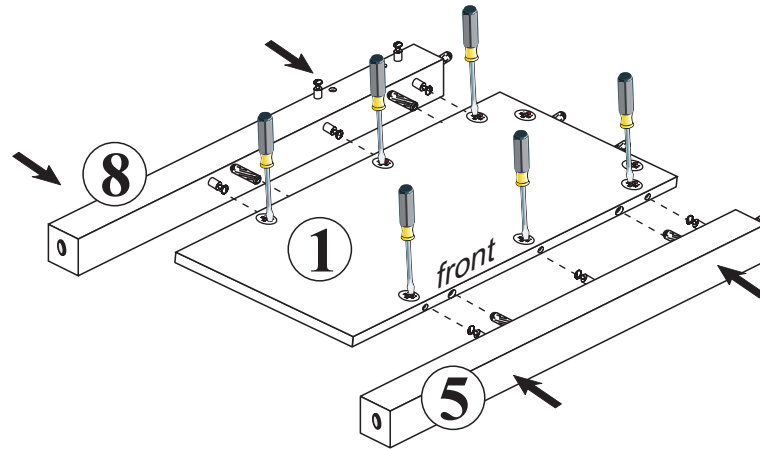
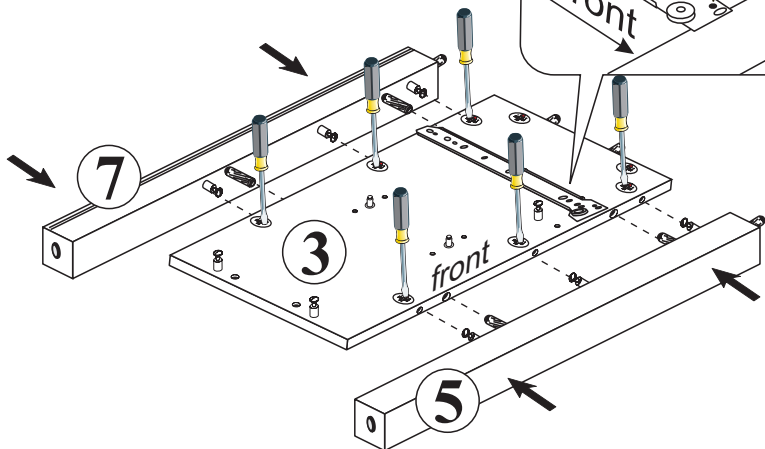
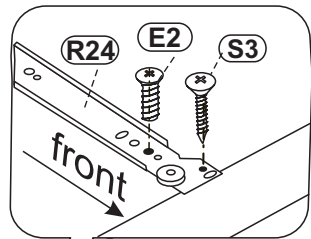
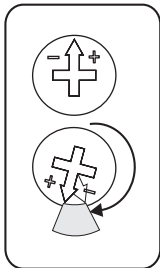
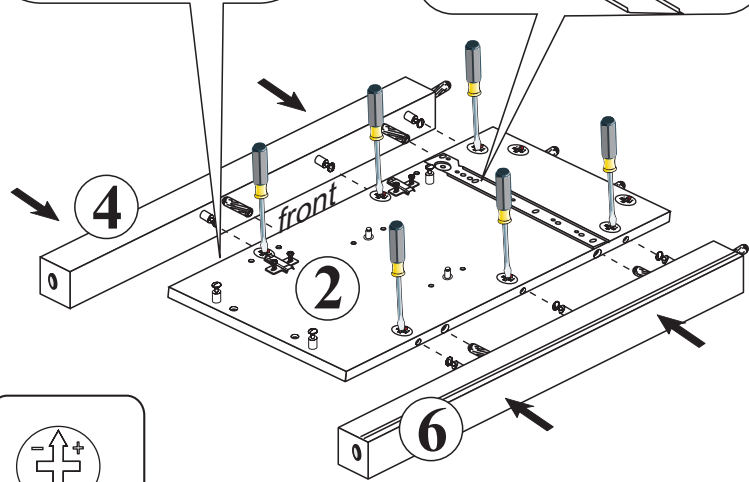
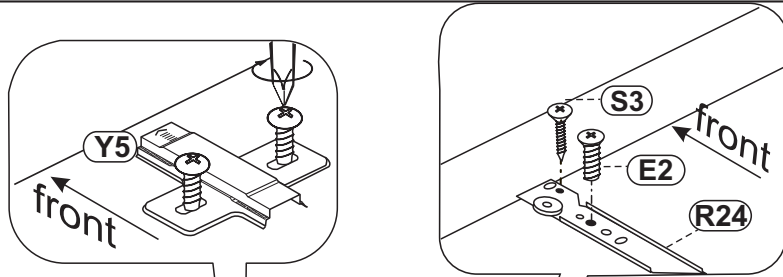
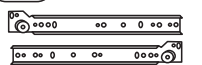



<b>W1</b>  x4	<b>B2</b>  $\phi$ 8x50 x12	<b>B1</b>  $\phi$ 8x28 x22
<b>T1</b>  x34	<b>F15</b>  x4	<b>M1</b>  x34





**2**




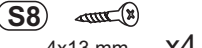
**R24** L-450 mm  
  
 x1L/1R


**E2**  6x11 x6


**S3**  3,5x13 x2

**Y5**  H2 x2

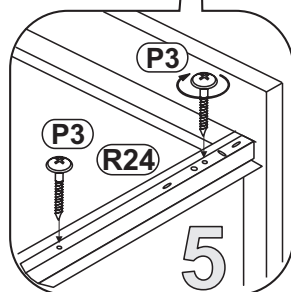
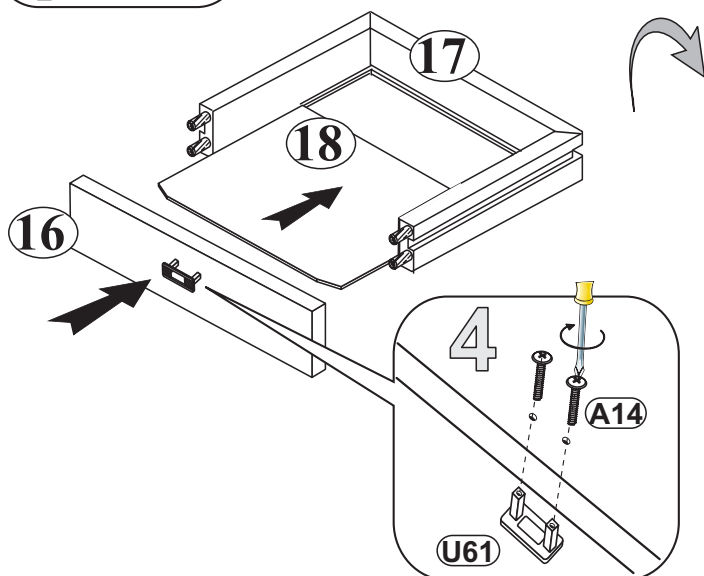
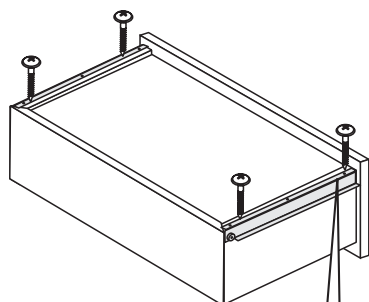
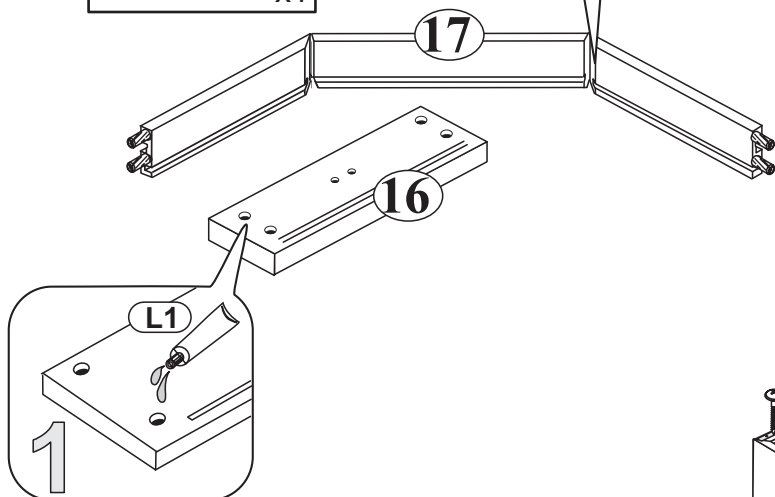
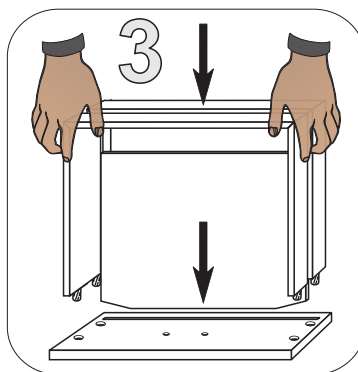
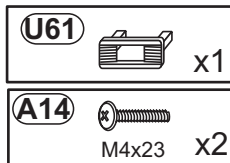
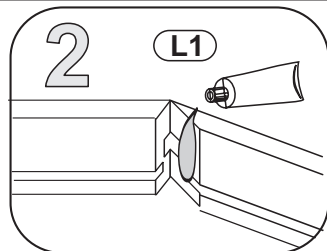
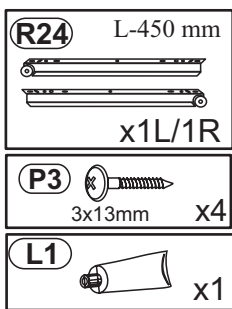
**Y1**  φ26  
 Kr15 x2

**S8**  4x13 mm x4

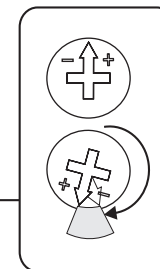
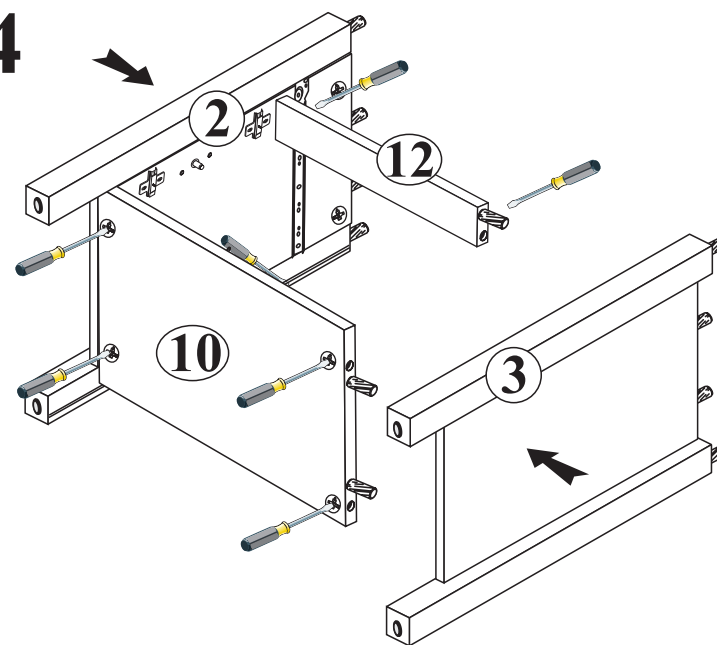
**U61**  x1

**A14**  M4x23 x2

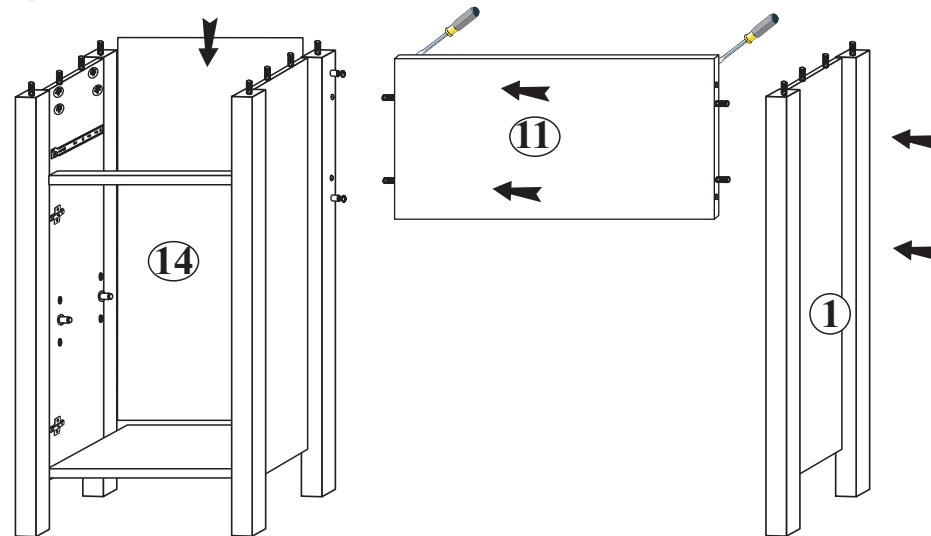
**3**



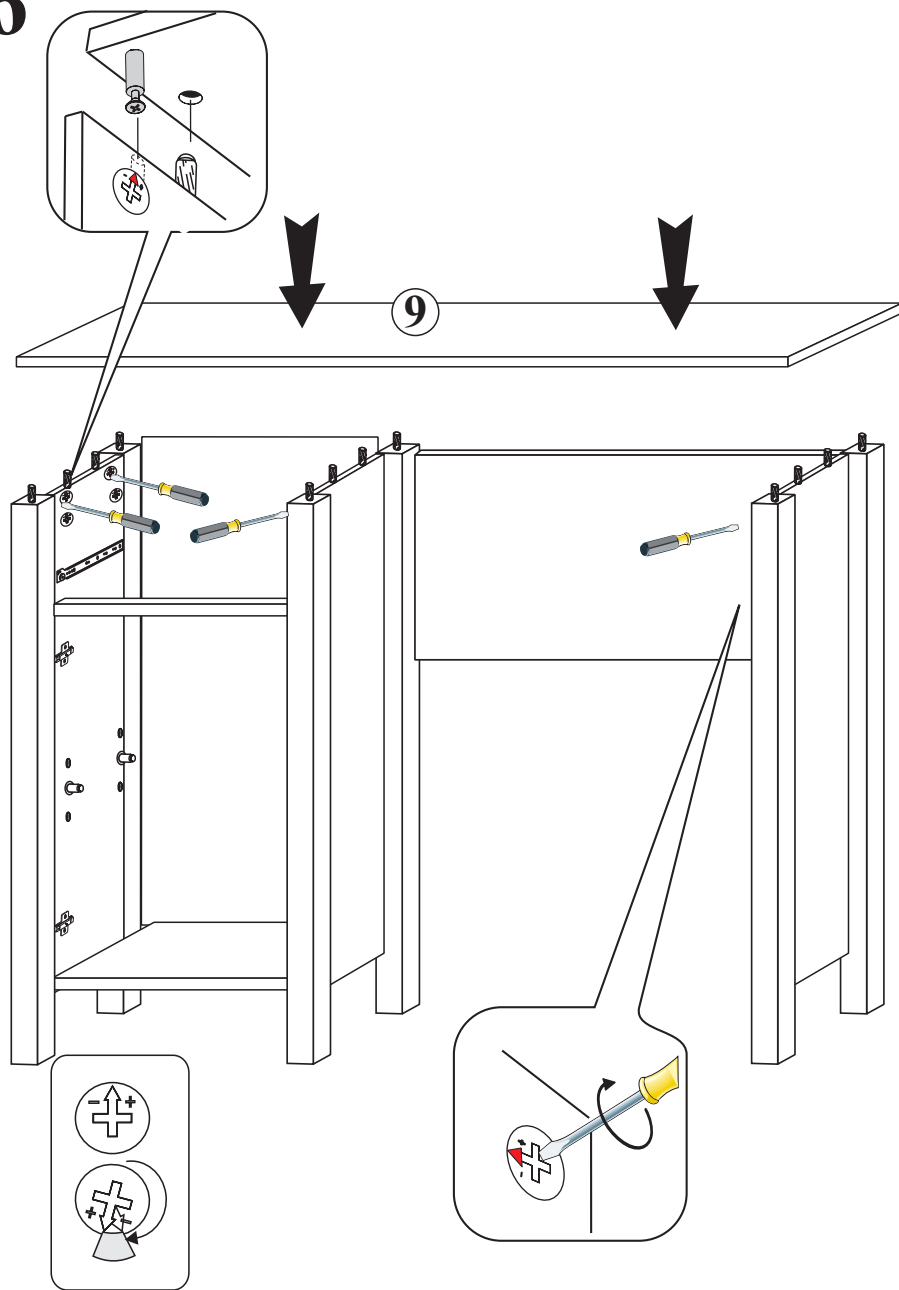
**4**



**5**

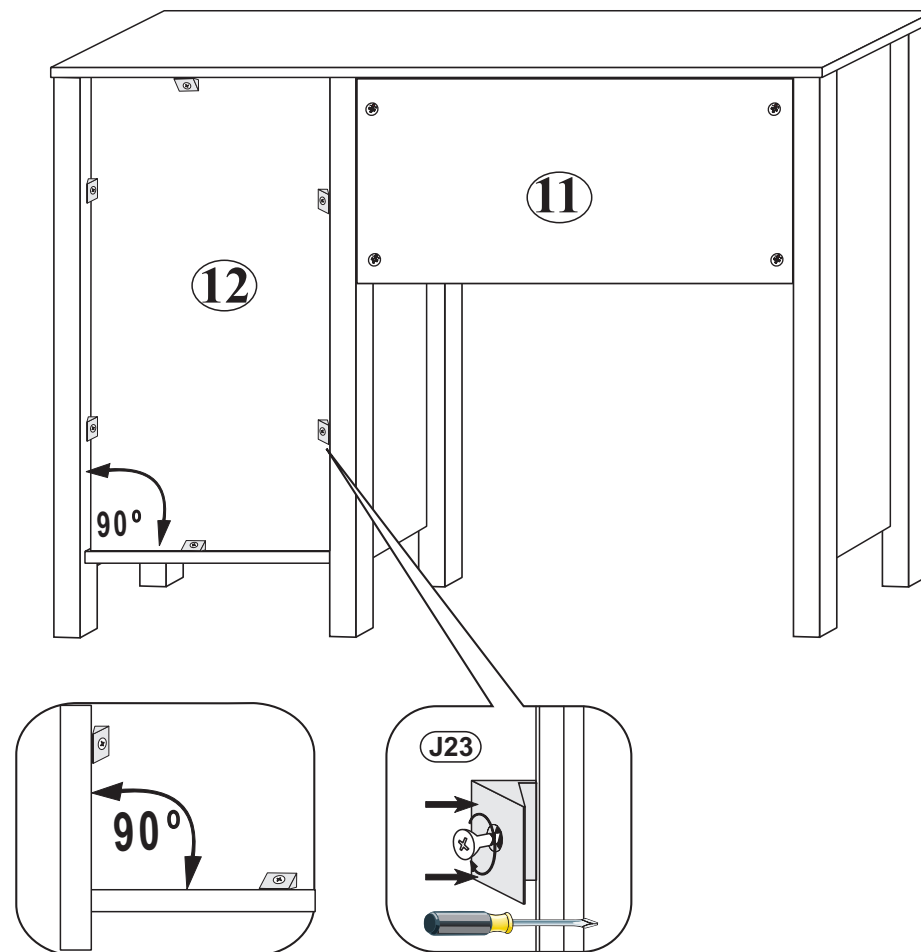


**6**



**7**

**J23**  x6



**8**

